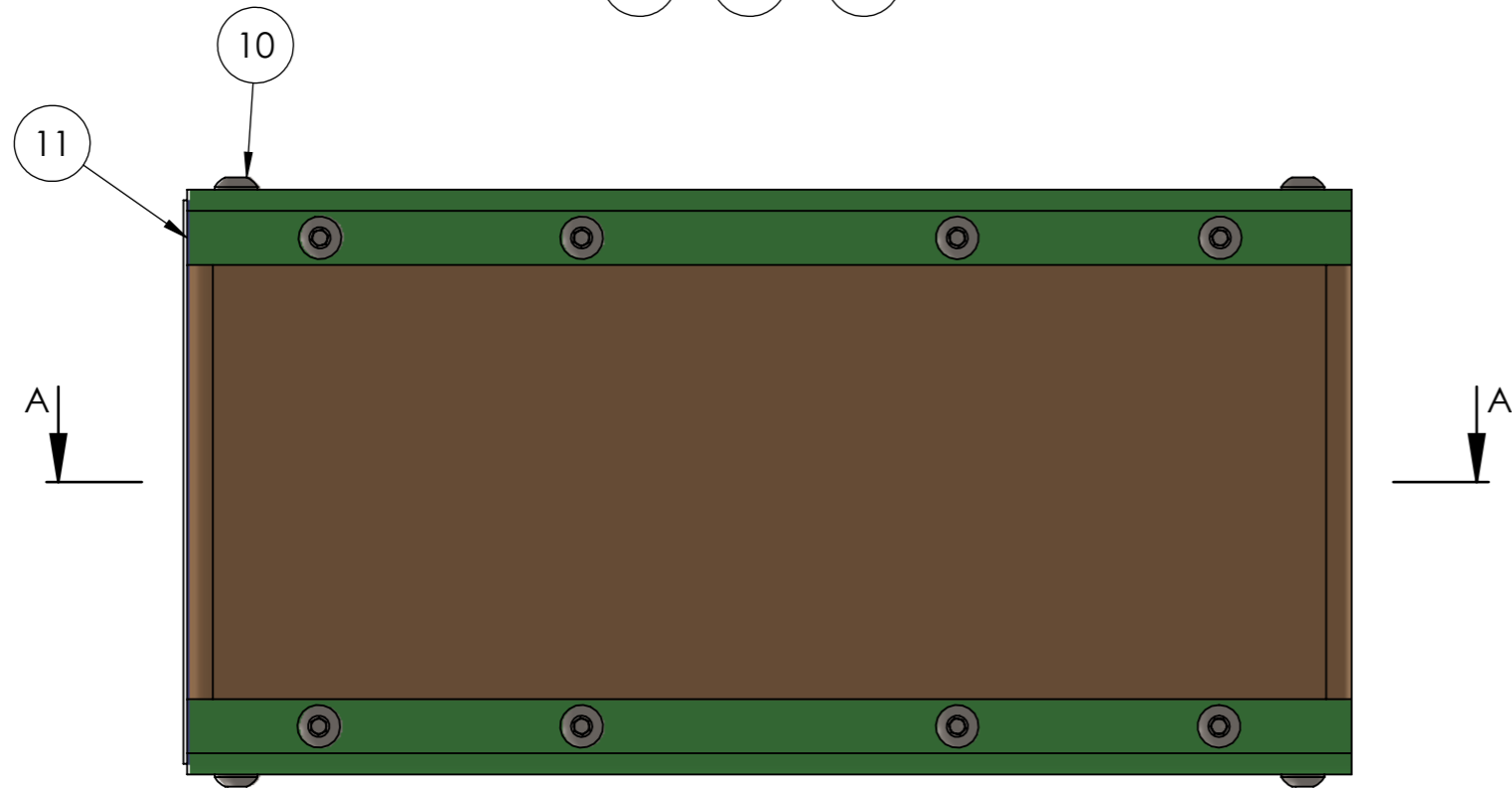
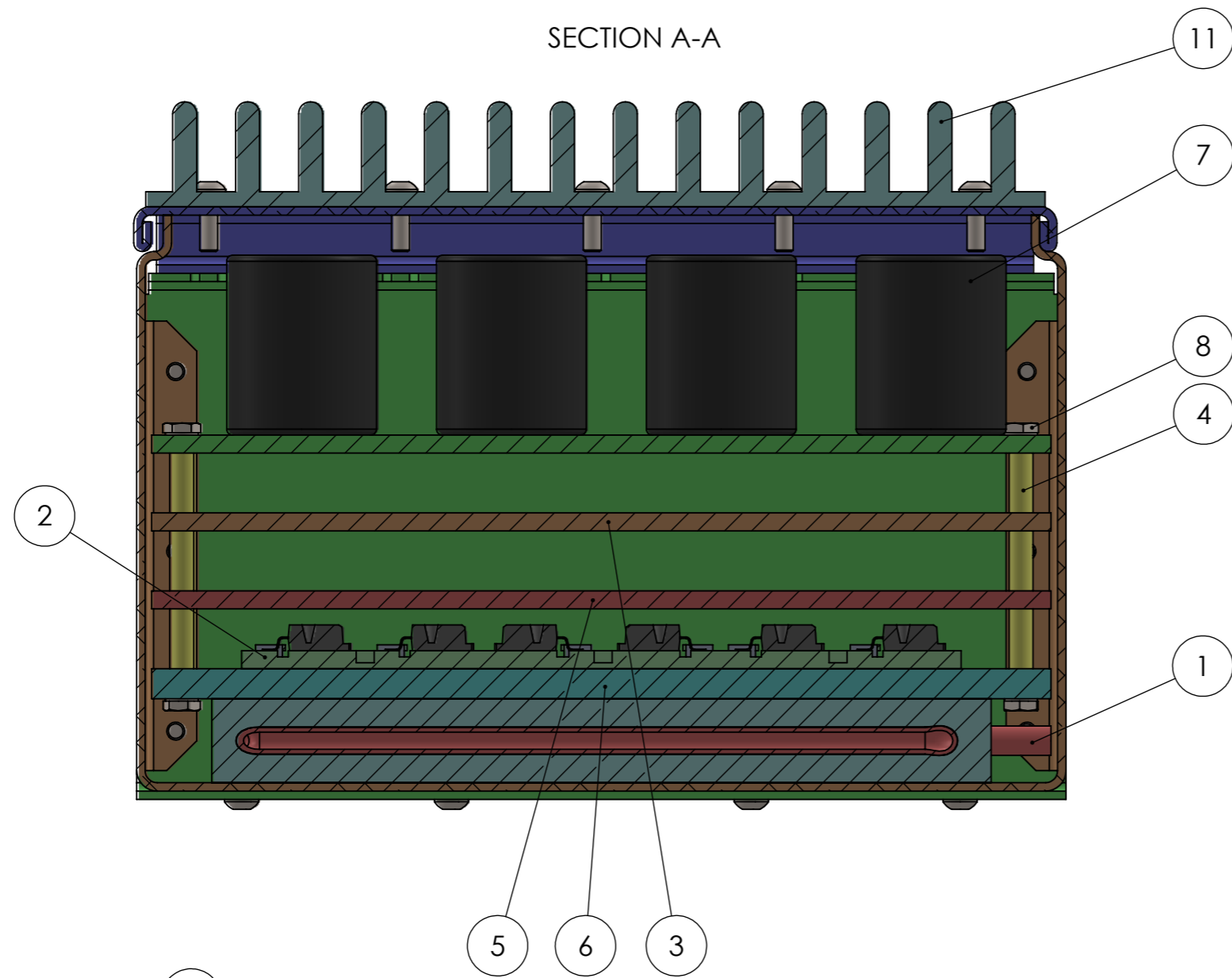
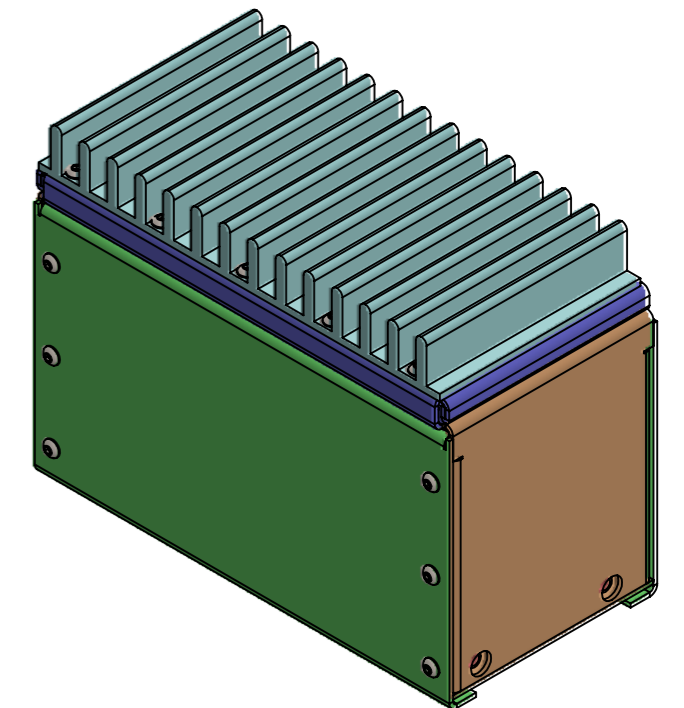
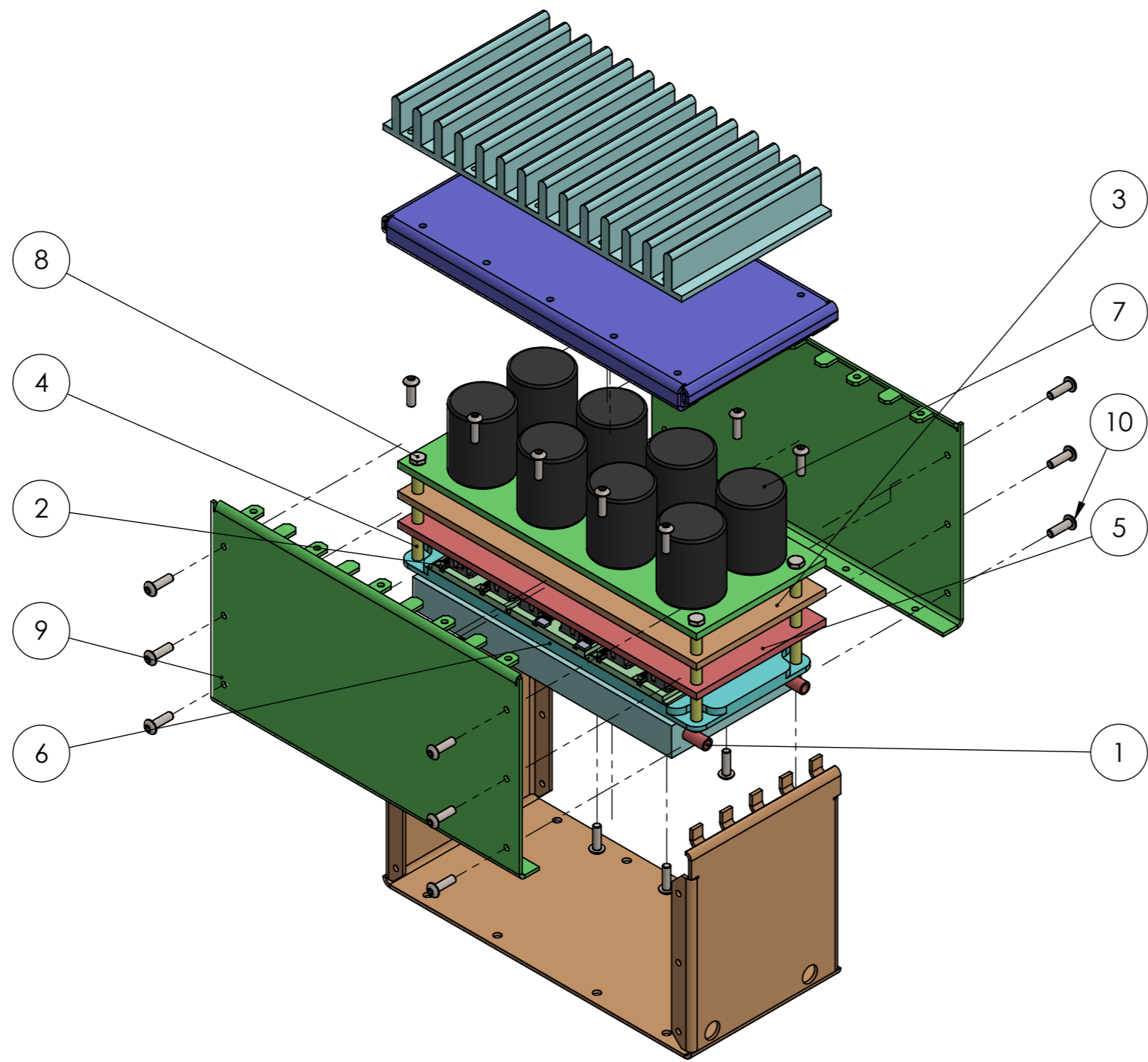


SECTION A-A

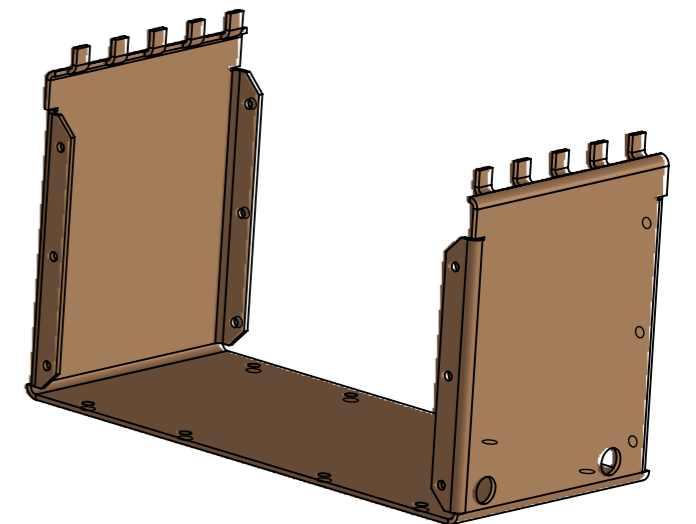
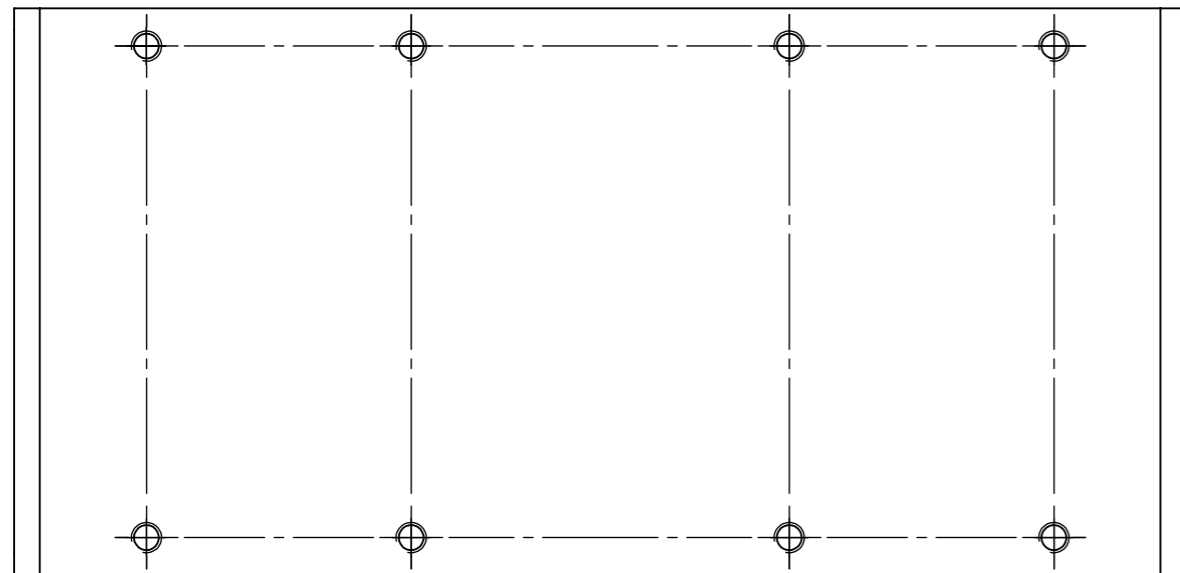
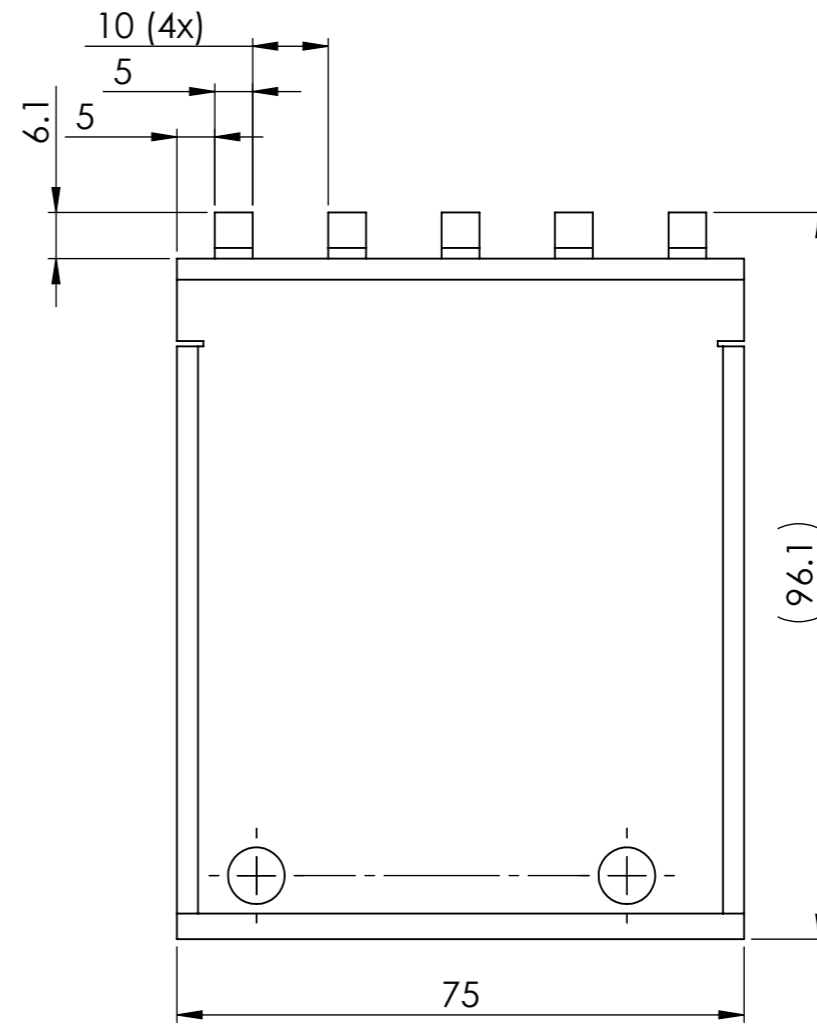
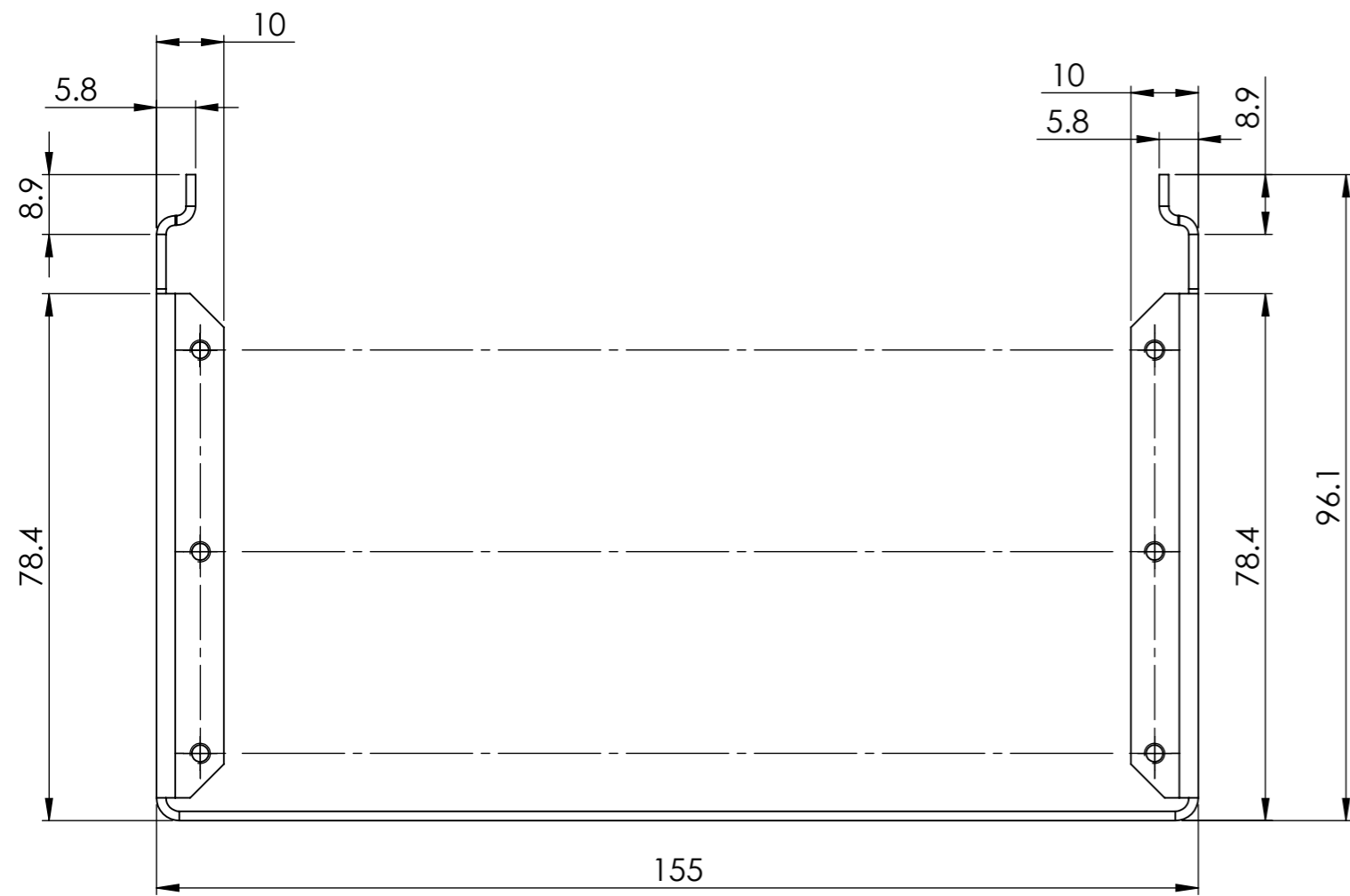


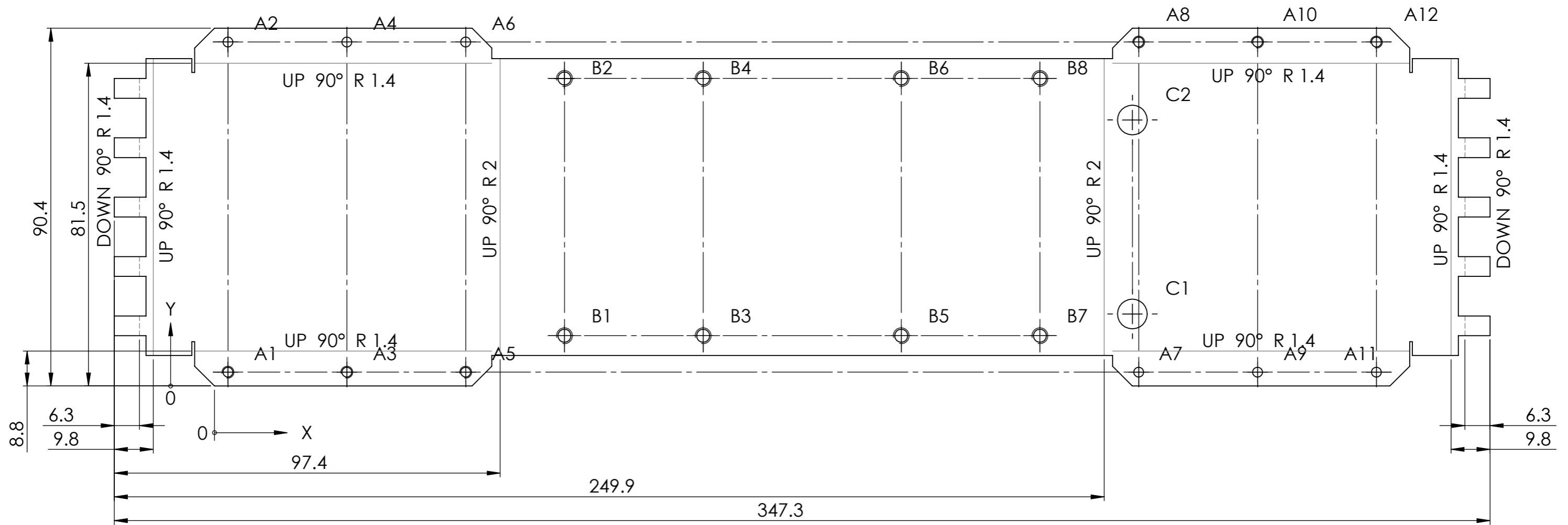
ITEM NO.	PART NUMBER	QTY.
1	cooling_assembly	1
2	Transistor Board	1
3	Gate Driver Board	1
4	spacer	4
5	Control Board	1
6	Cold_plate	1
7	Capacitor board assembly	1
8	ISO 4014 - M3 x 20 x 12-N	8
11	cover	1
10	ISO 7380 - M3 x 10 - 10N	30
11	Fins	1



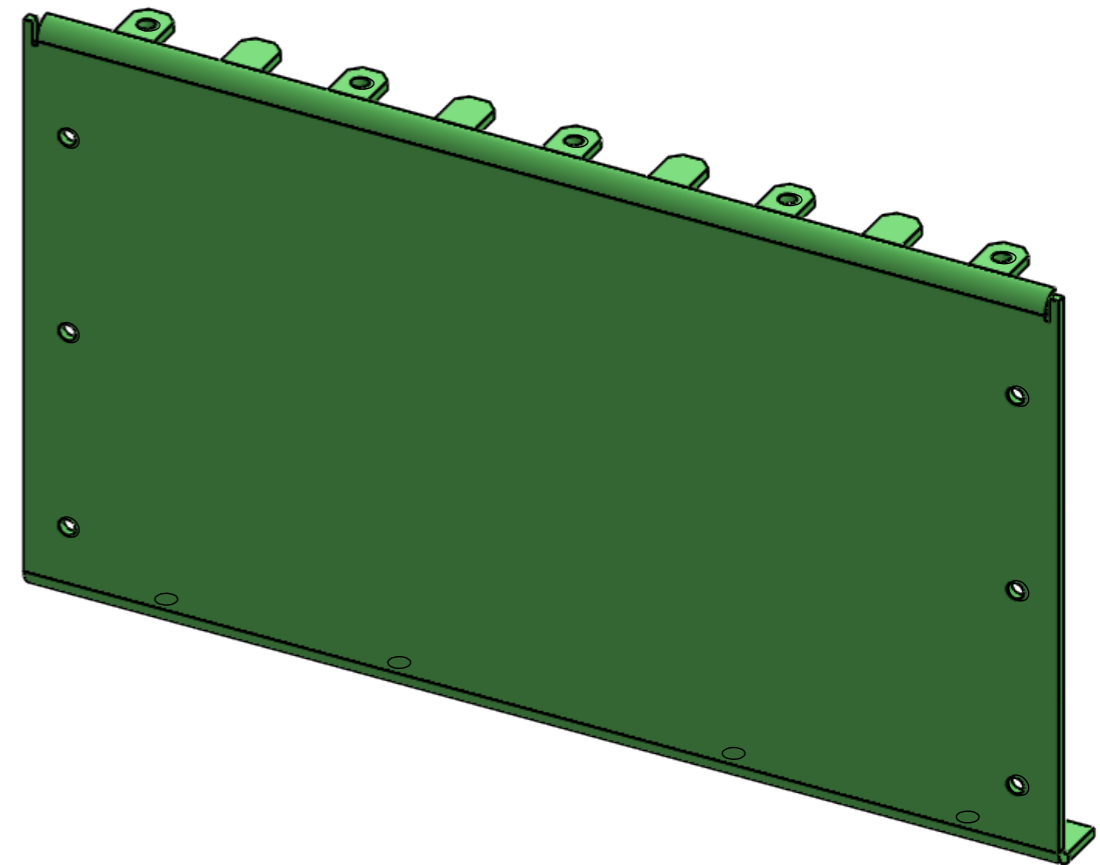
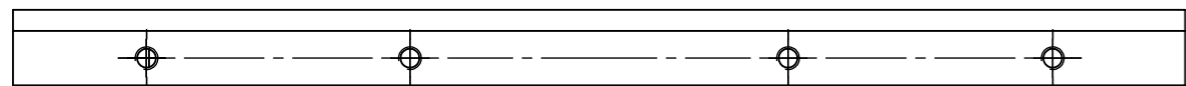
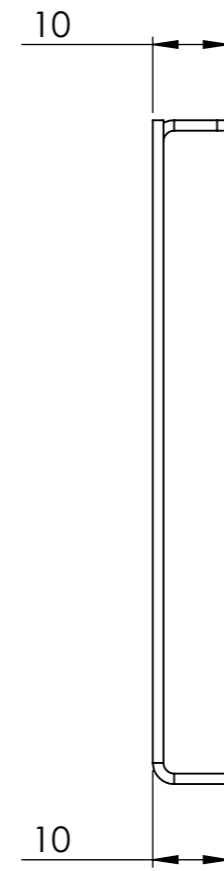
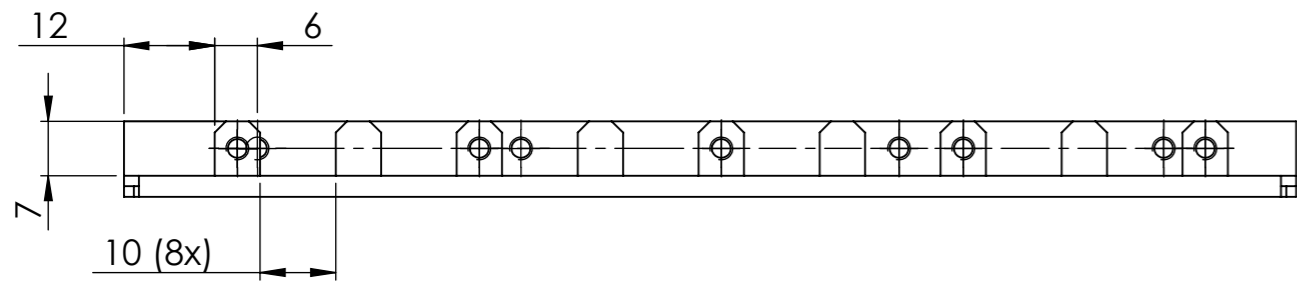


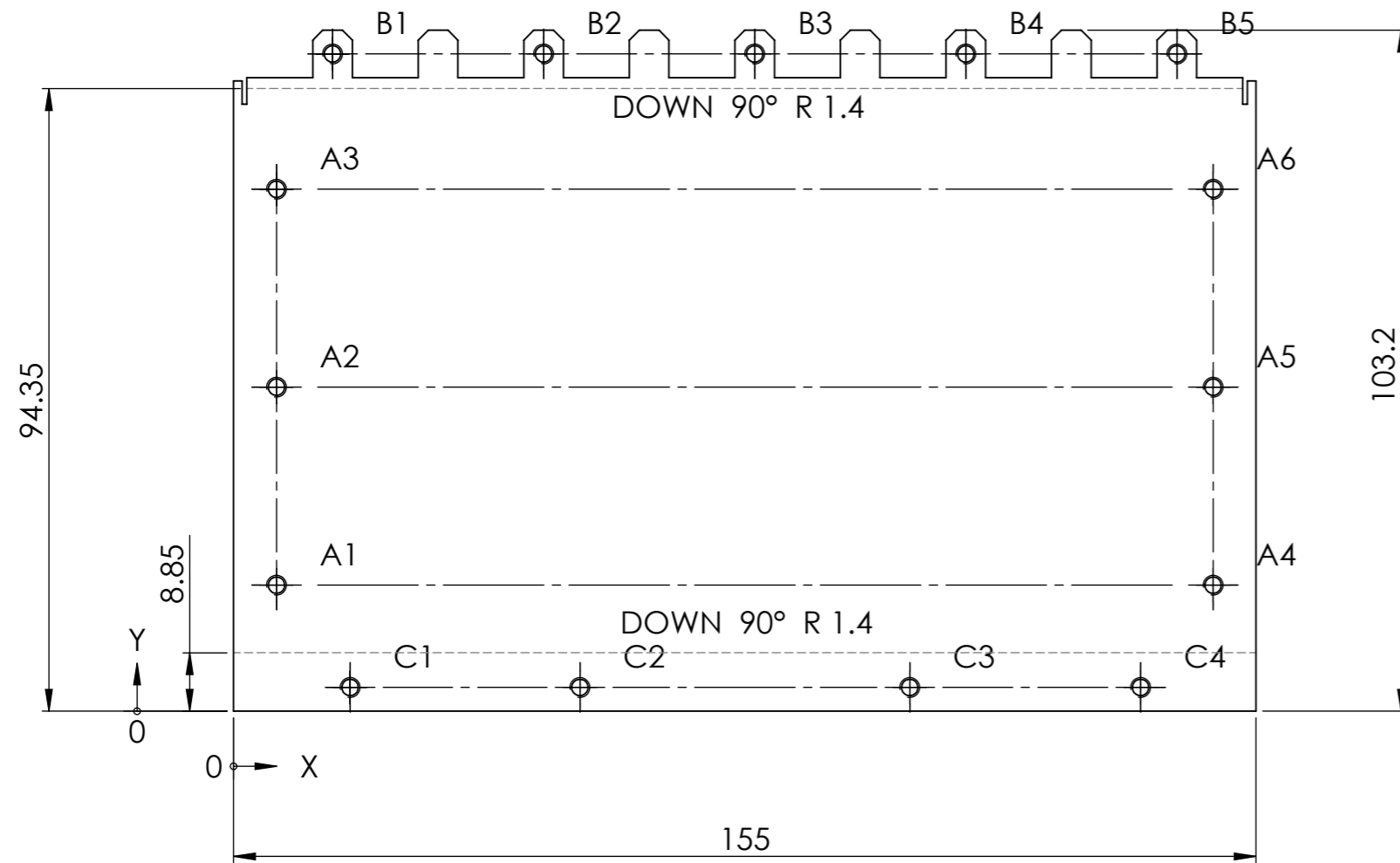
ITEM NO.	PART NUMBER	QTY.
1	cooling_assembly	1
2	Transistor Board	1
3	Gate Driver Board	1
4	spacer	4
5	Control Board	1
6	Cold_plate	1
7	Capacitor board assembly	1
8	ISO 4014 - M3 x 20 x 12-N	8
9	cover	1
10	ISO 7380 - M3 x 10 - 10N	30



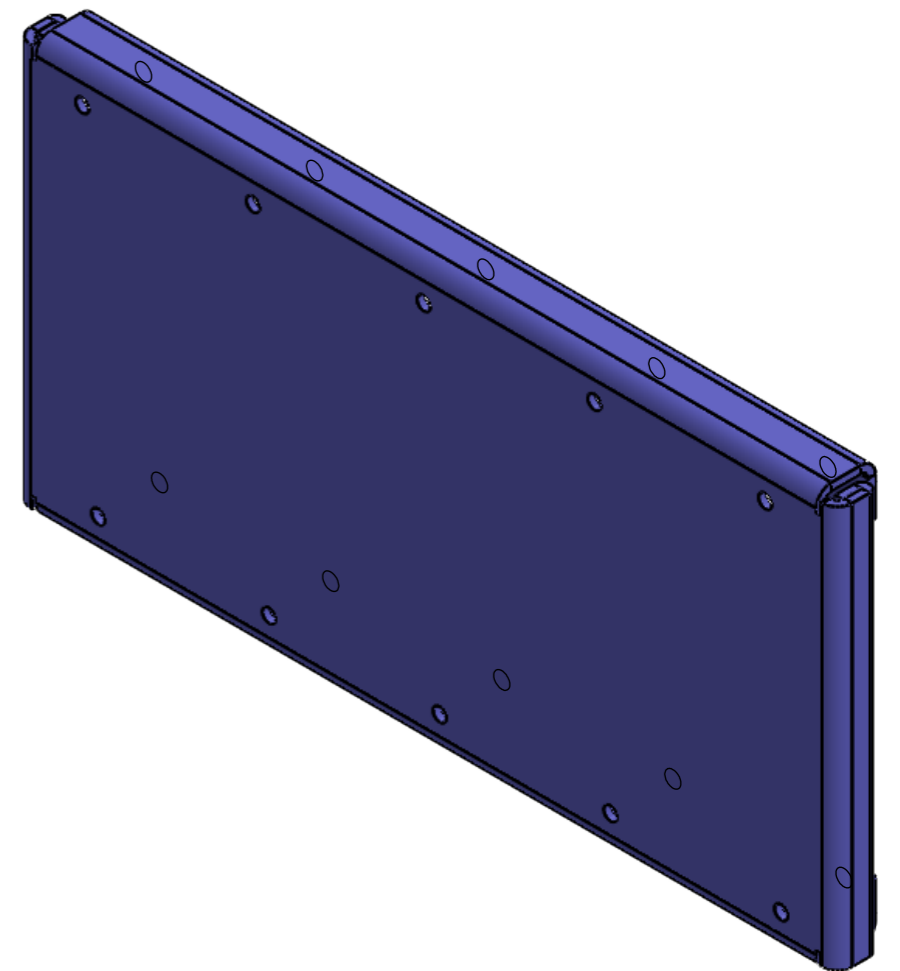
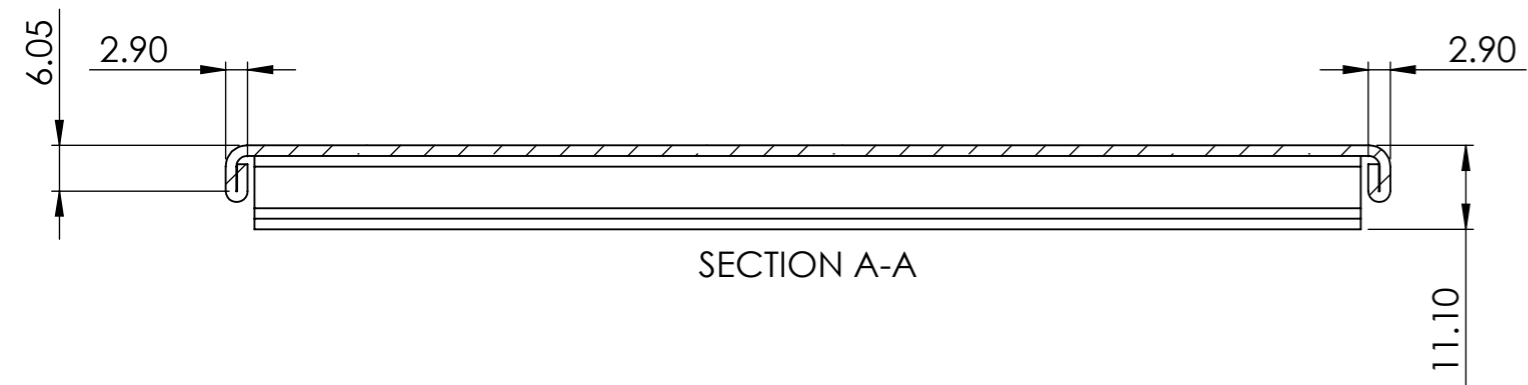
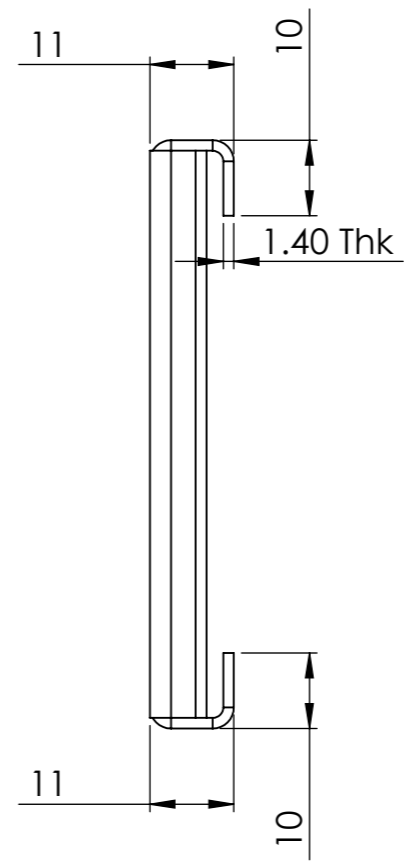
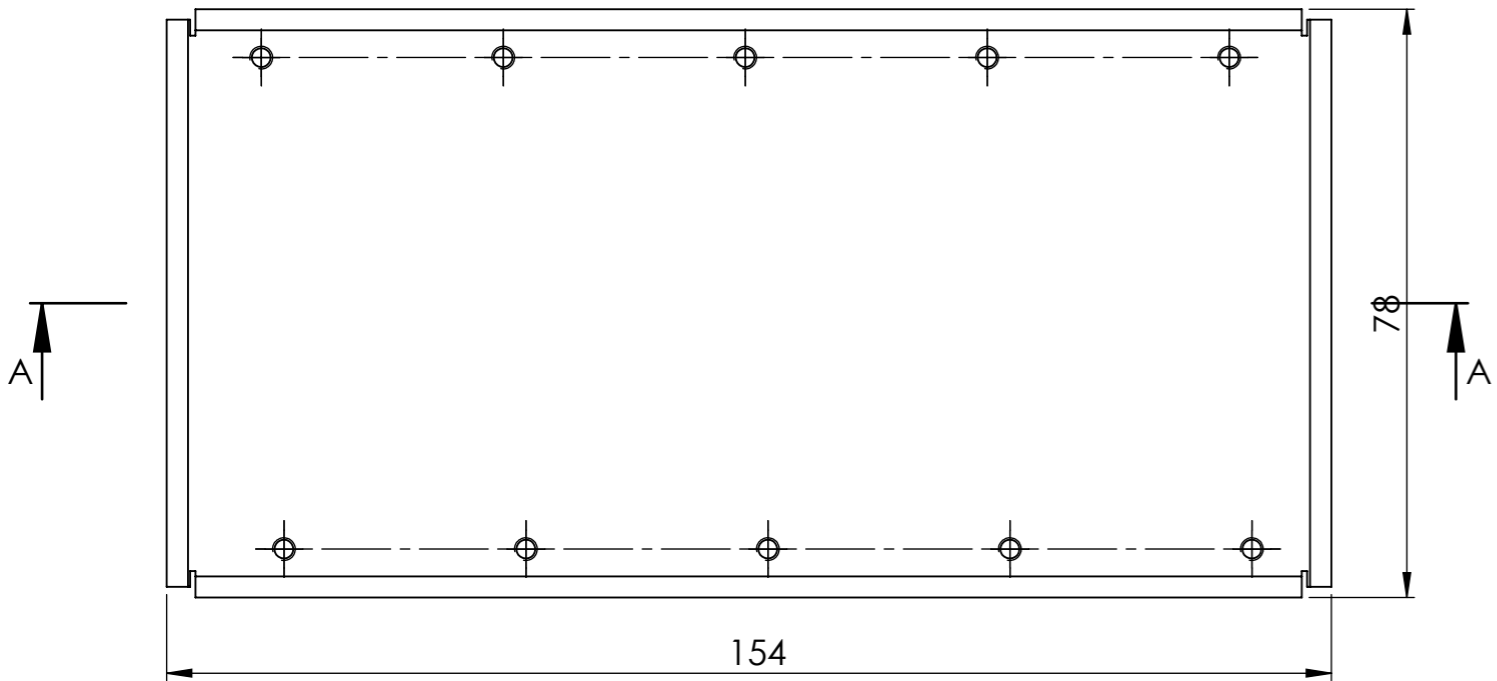


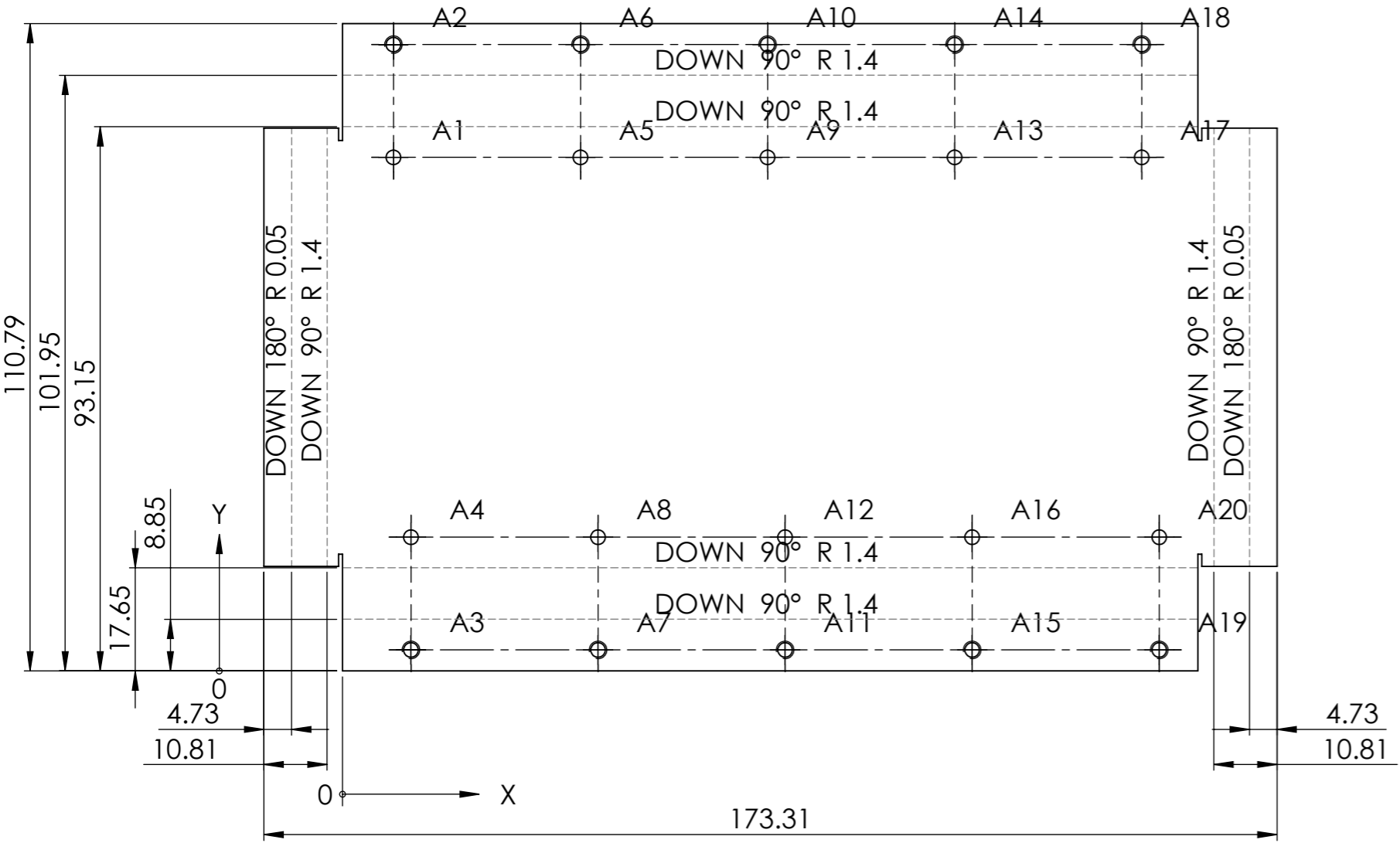
TAG	X LOC	Y LOC	SIZE
A1	3.4	3.5	Ø 2.50 THRU ALL M3 - 6H THRU ALL
A2	3.4	86.9	
A3	33.4	3.5	
A4	33.4	86.9	
A5	63.4	3.5	
A6	63.4	86.9	
A7	233.3	3.5	
A8	233.3	86.9	
A9	263.3	3.5	
A10	263.3	86.9	
A11	293.3	3.5	
A12	293.3	86.9	
B1	88.3	12.7	Ø 3.30 ∇ 9.50 M4 - 6H ∇ 6.00
B2	88.3	77.7	
B3	123.3	12.7	
B4	123.3	77.7	
B5	173.3	12.7	
B6	173.3	77.7	
B7	208.3	12.7	
B8	208.3	77.7	
C1	231.7	18.2	Ø 7.50 THRU
C2	231.7	67.2	





TAG	X LOC	Y LOC	SIZE
A1	6.50	19.10	Ø 2.50 THRU ALL M3 - 6H THRU ALL
A2	6.50	49.10	
A3	6.50	79.10	
A4	148.50	19.10	
A5	148.50	49.10	
A6	148.50	79.10	
B1	15	99.60	Ø 2.50 THRU M3 - 6H THRU
B2	47	99.60	
B3	79	99.60	
B4	111	99.60	
B5	143	99.60	
C1	17.66	3.60	Ø 2.50 ∇ 8.50 M3 - 6H ∇ 6.00
C2	52.50	3.60	
C3	102.50	3.60	
C4	137.50	3.60	





TAG	X LOC	Y LOC	SIZE
A1	8.70	87.90	Ø 2.50 THRU ALL M3 - 6H THRU ALL
A2	8.70	107.19	
A3	11.70	3.60	
A4	11.70	22.90	
A5	40.70	87.90	
A6	40.70	107.19	
A7	43.70	3.60	
A8	43.70	22.90	
A9	72.70	87.90	
A10	72.70	107.19	
A11	75.70	3.60	
A12	75.70	22.90	
A13	104.70	87.90	
A14	104.70	107.19	
A15	107.70	3.60	
A16	107.70	22.90	
A17	136.70	87.90	
A18	136.70	107.19	
A19	139.70	3.60	
A20	139.70	22.90	