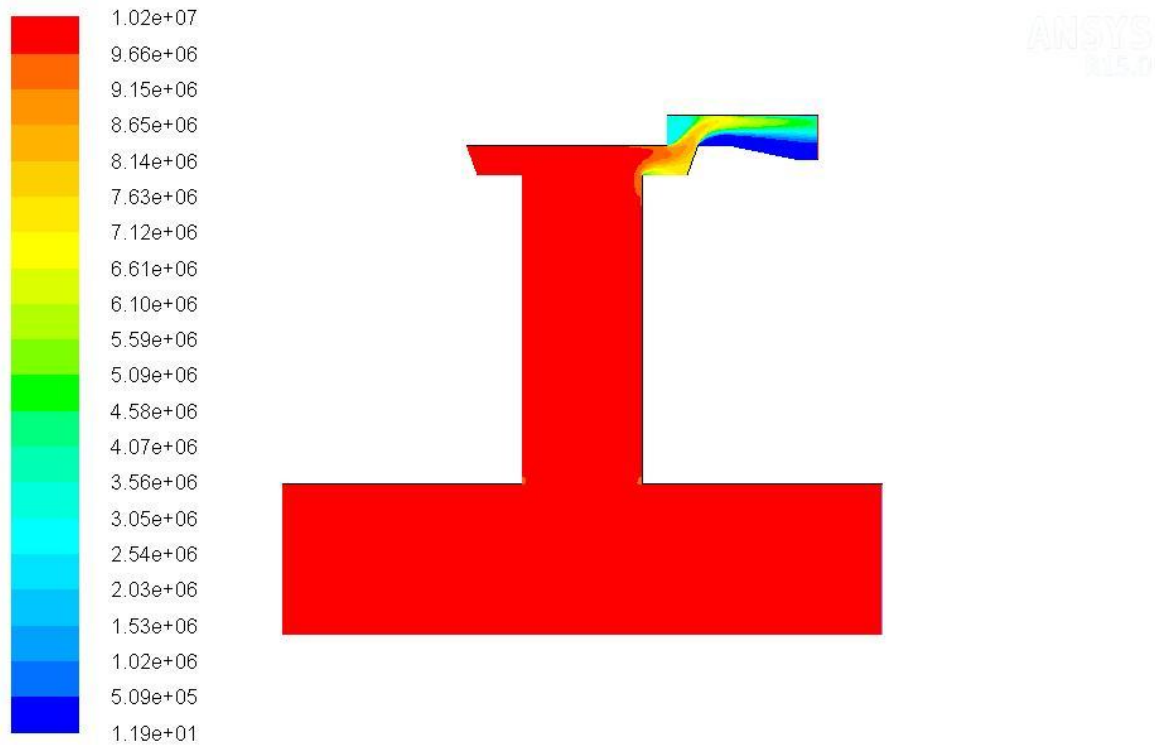


Příloha P3- Numerická simulace proudění hydraulického oleje v okolí škrticího elementu, celkový tlak, rychlost proudění, obsah plynné fáze v oleji, R-poloměr zaoblí hrany škrticího elementu v milimetrech, T-teplota oleje [$^{\circ}\text{C}$]

Celkový tlak - $T=25^{\circ}\text{C}$

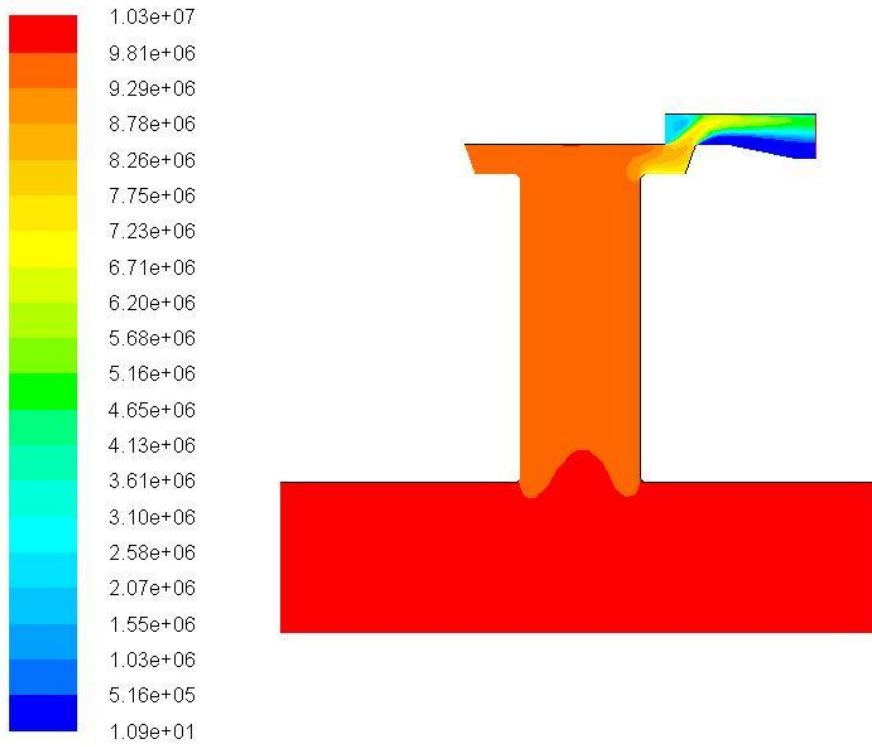
R=0



Contours of Total Pressure (mixture) (pascal)

May 15, 2015
ANSYS Fluent 15.0 (2d, pbns, mixture, rke)

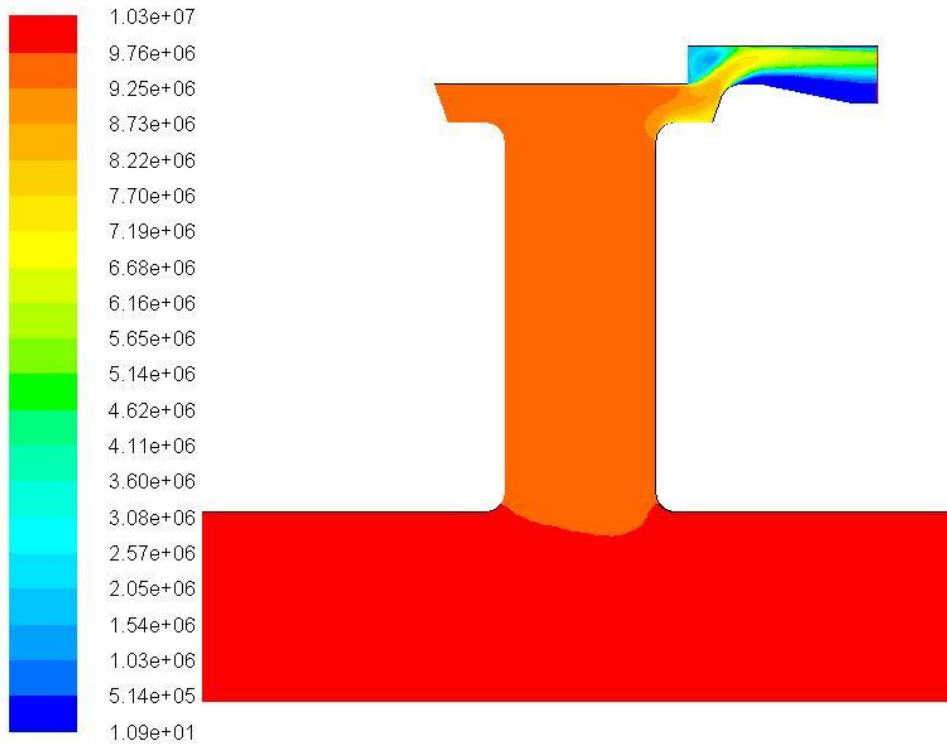
R=0,2



Contours of Total Pressure (mixture) (pascal)

May 15, 2015
ANSYS Fluent 15.0 (2d, pbns, mixture, rke)

R=0,5

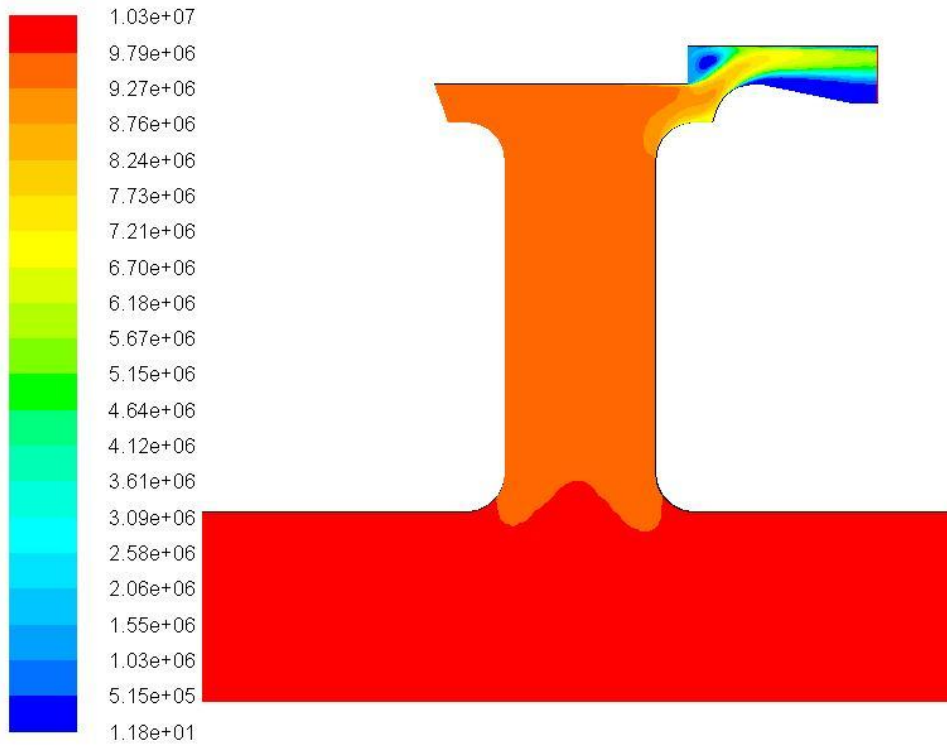


ANSYS
15.0

Contours of Total Pressure (mixture) (pascal)

May 16, 2015
ANSYS Fluent 15.0 (2d, pbns, mixture, rke)

R=1



Contours of Total Pressure (mixture) (pascal)

May 16, 2015
ANSYS Fluent 15.0 (2d, pbns, mixture, rke)

R=1,25

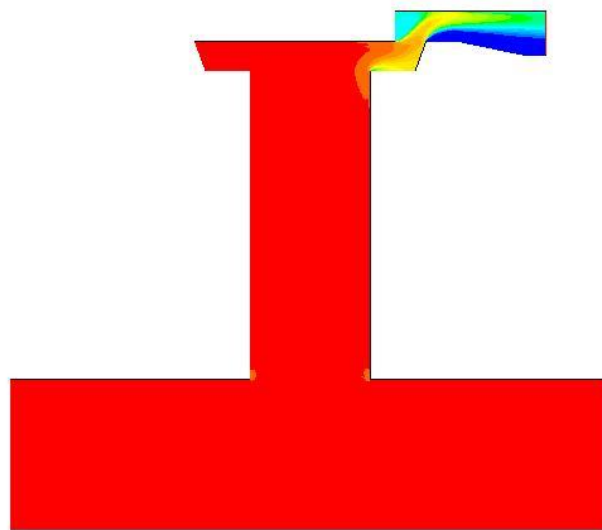
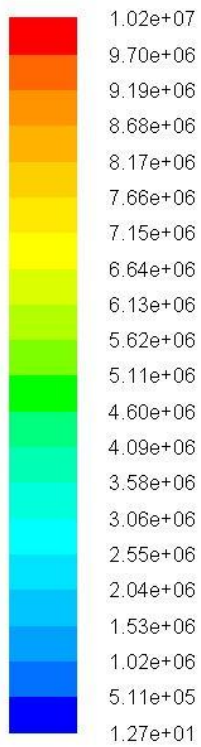


Contours of Total Pressure (mixture) (pascal)

May 16, 2015
ANSYS Fluent 15.0 (2d, pbns, mixture, rke)

Celkový tlak - T=30°C

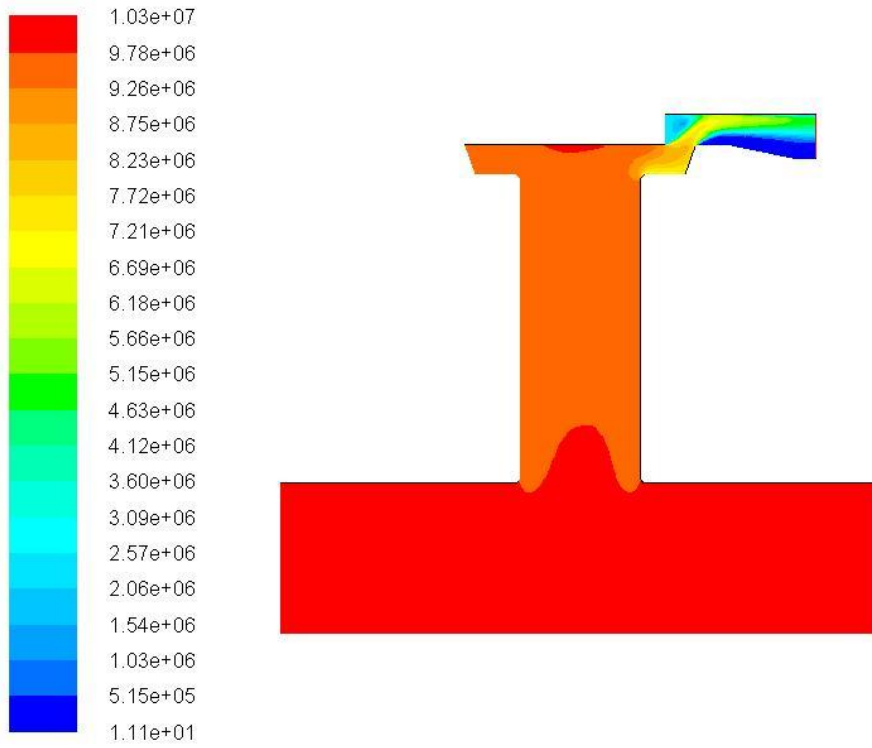
R=0



Contours of Total Pressure (mixture) (pascal)

May 15, 2015
ANSYS Fluent 15.0 (2d, pbns, mixture, rke)

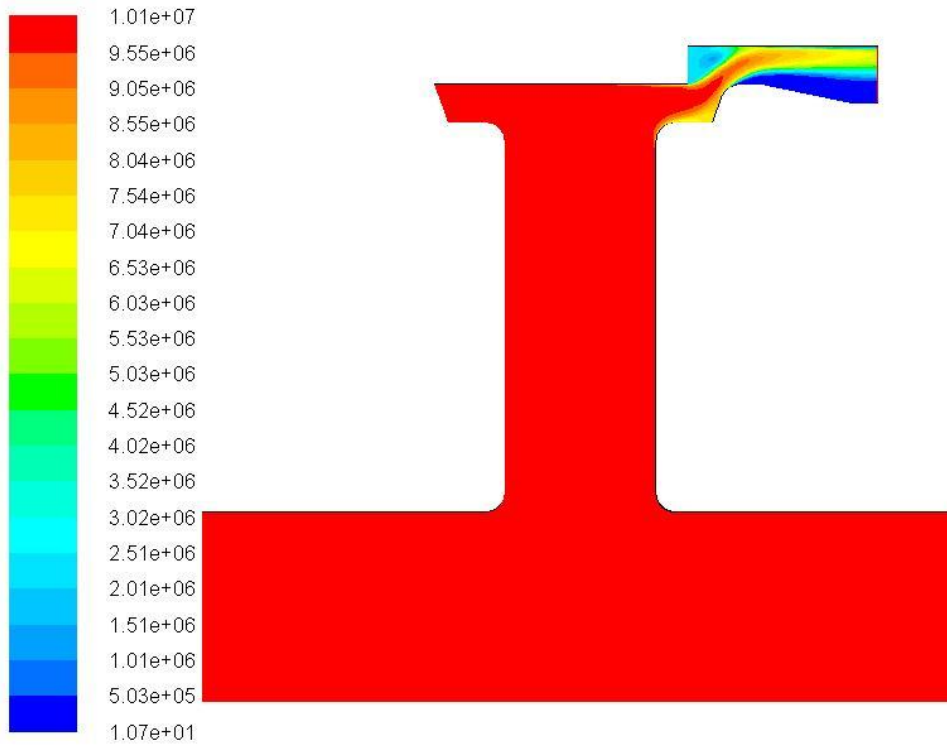
R=0,2



Contours of Total Pressure (mixture) (pascal)

May 15, 2015
ANSYS Fluent 15.0 (2d, pbns, mixture, rke)

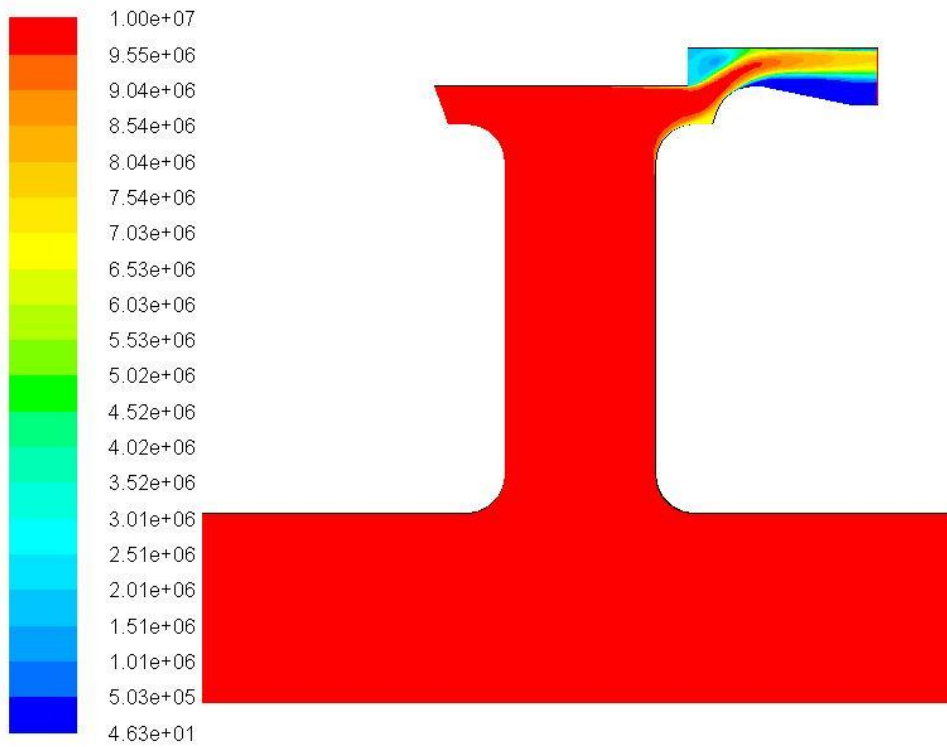
R=0,5



Contours of Total Pressure (mixture) (pascal)

May 16, 2015
ANSYS Fluent 15.0 (2d, pbns, mixture, rke)

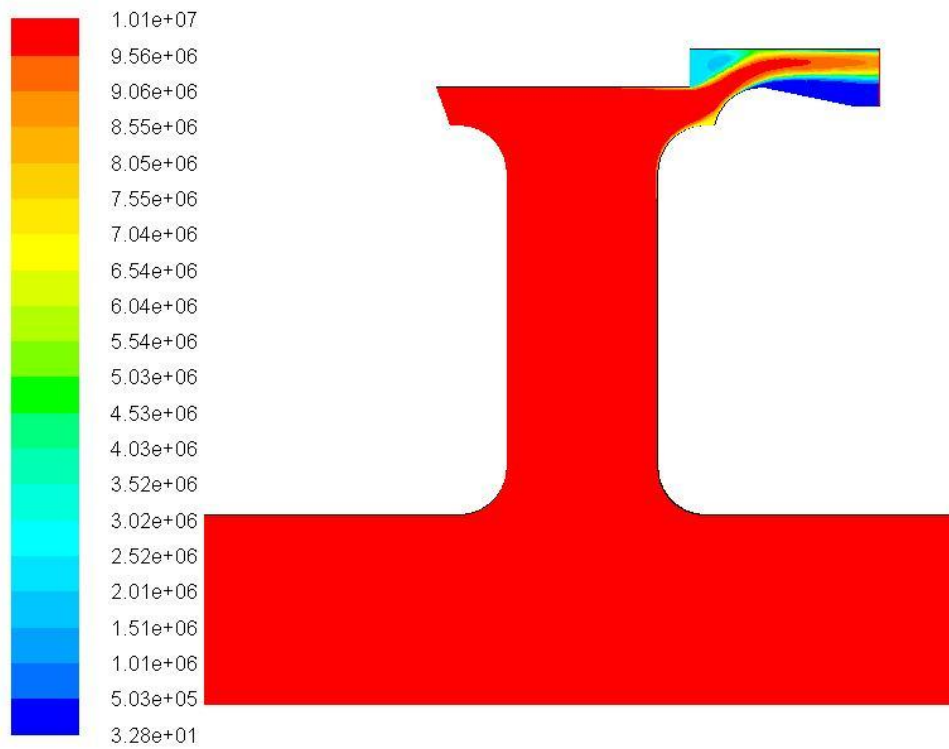
R = 1



Contours of Total Pressure (mixture) (pascal)

May 16, 2015
ANSYS Fluent 15.0 (2d, pbns, mixture, rke)

R=1,25

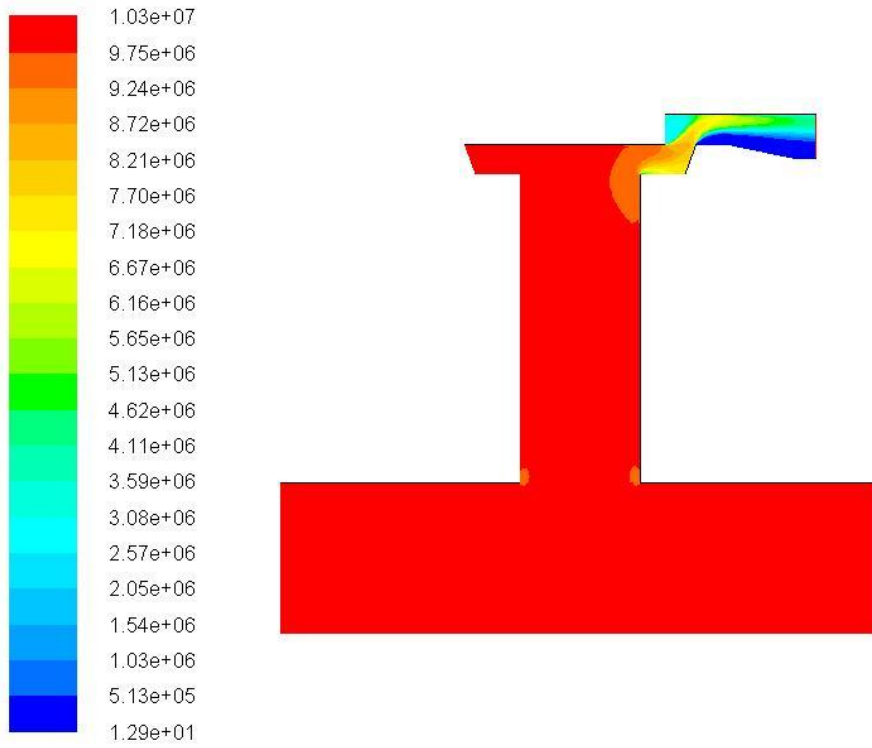


Contours of Total Pressure (mixture) (pascal)

May 16, 2015
ANSYS Fluent 15.0 (2d, pbns, mixture, rke)

Celkový tlak - T=35°C

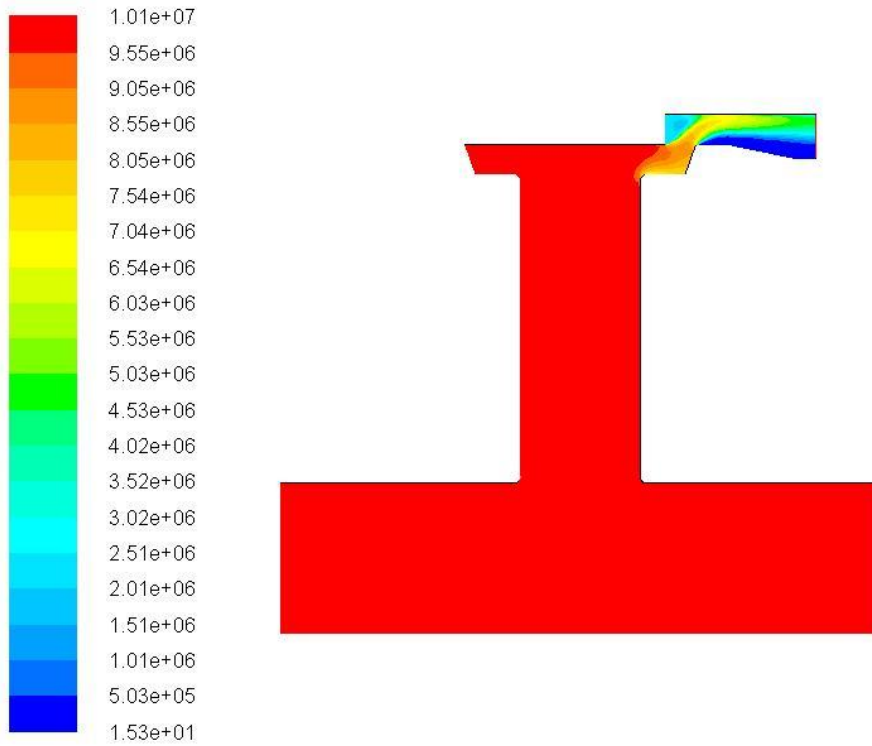
R=0



Contours of Total Pressure (mixture) (pascal)

May 15, 2015
ANSYS Fluent 15.0 (2d, pbns, mixture, rke)

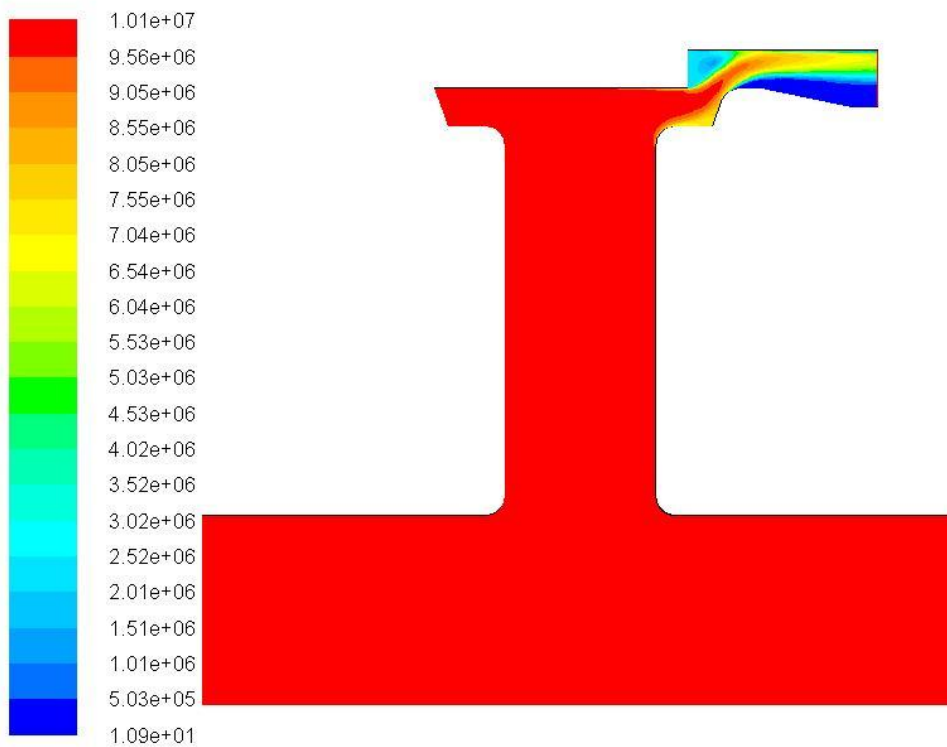
R=0,2



Contours of Total Pressure (mixture) (pascal)

May 15, 2015
ANSYS Fluent 15.0 (2d, pbns, mixture, rke)

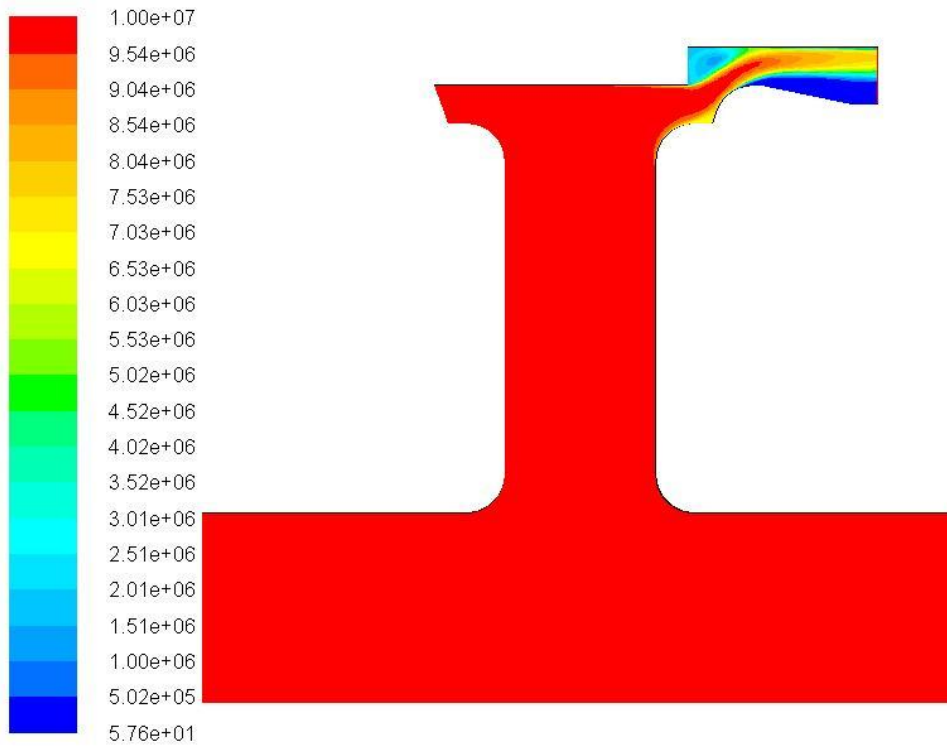
R=0,5



Contours of Total Pressure (mixture) (pascal)

May 16, 2015
ANSYS Fluent 15.0 (2d, pbns, mixture, rke)

R=1

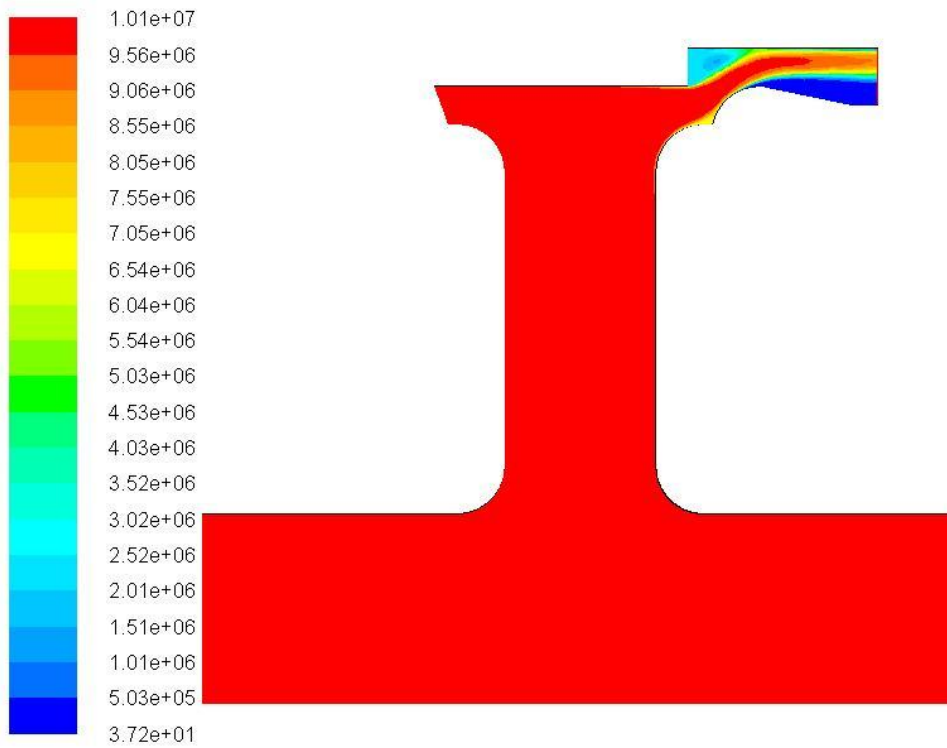


ANSYS
FLUENT

Contours of Total Pressure (mixture) (pascal)

May 16, 2015
ANSYS Fluent 15.0 (2d, pbns, mixture, rke)

R=1,25



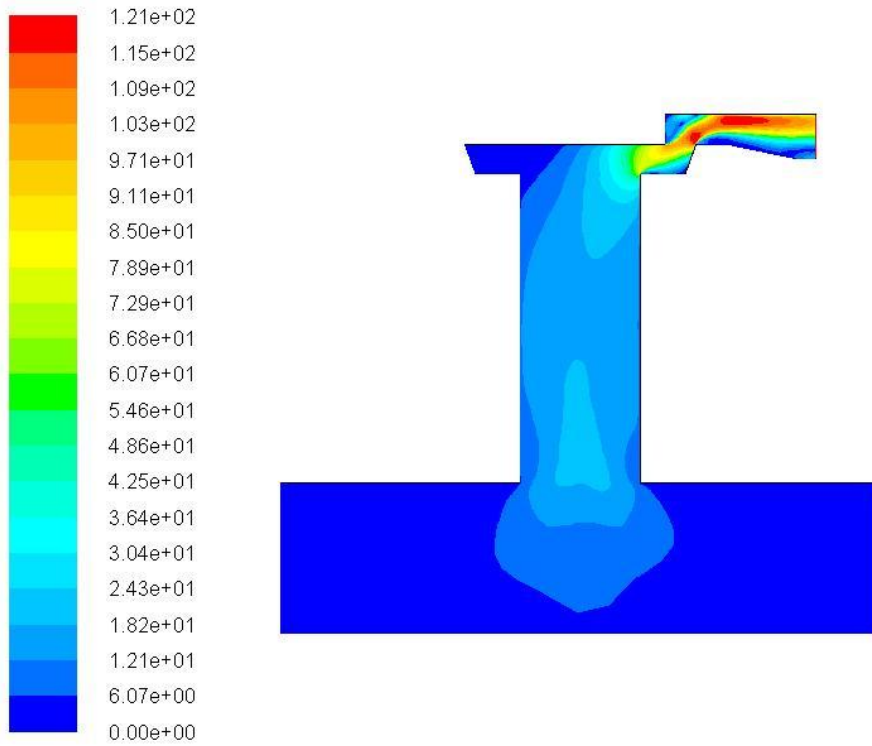
ANSYS
15.0

Contours of Total Pressure (mixture) (pascal)

May 16, 2015
ANSYS Fluent 15.0 (2d, pbns, mixture, rke)

Rychlost - $T=25^{\circ}\text{C}$

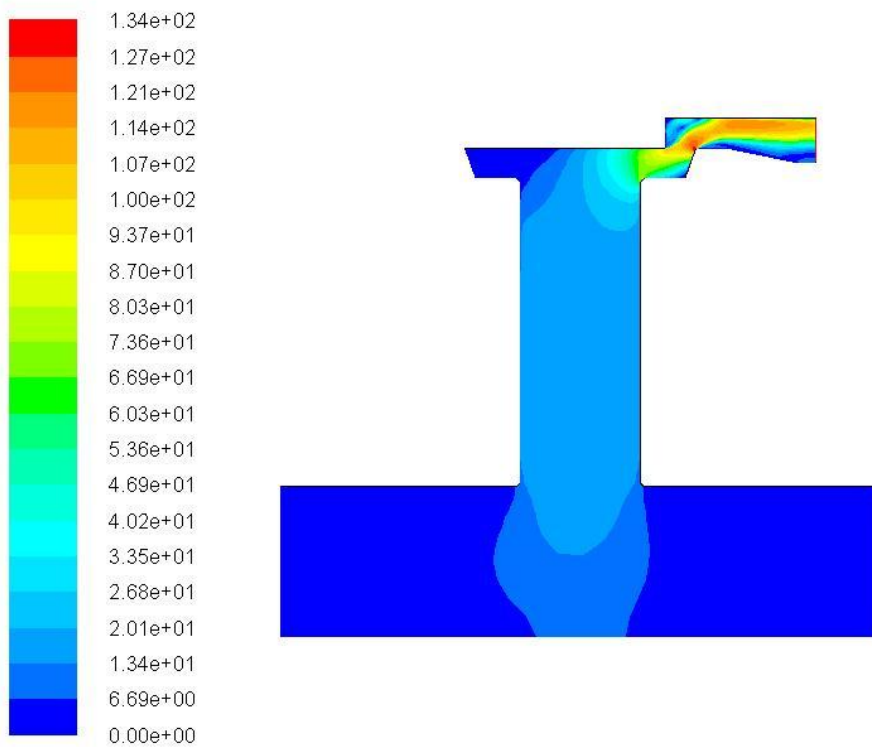
$R=0$



Contours of Velocity Magnitude (mixture) (m/s)

May 15, 2015
ANSYS Fluent 15.0 (2d, pbns, mixture, rke)

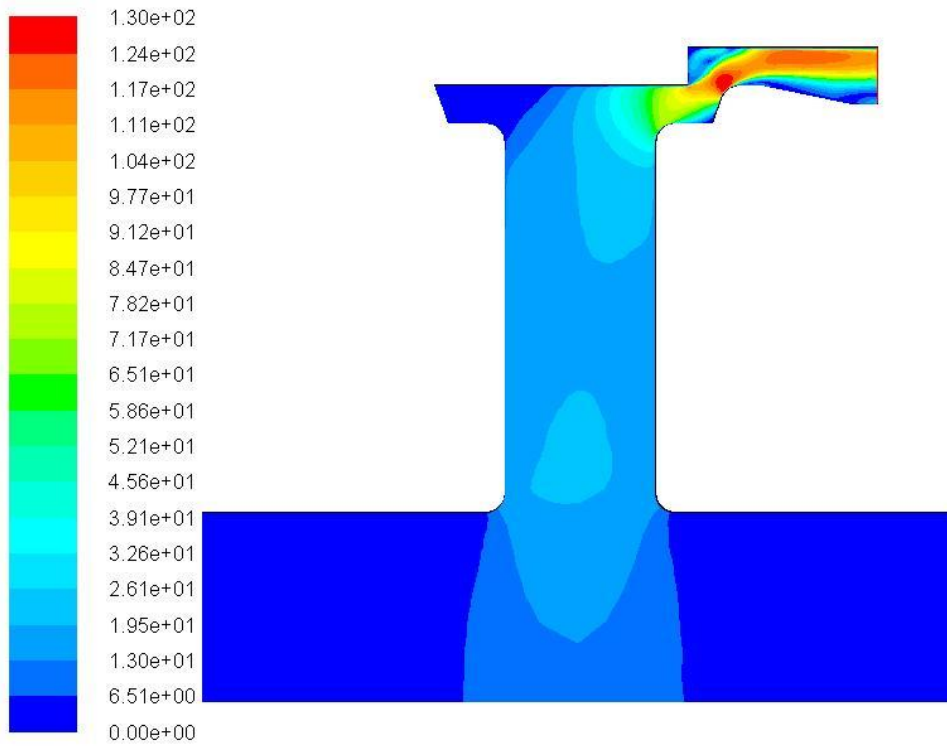
R=0,2



Contours of Velocity Magnitude (mixture) (m/s)

May 15, 2015
ANSYS Fluent 15.0 (2d, pbns, mixture, rke)

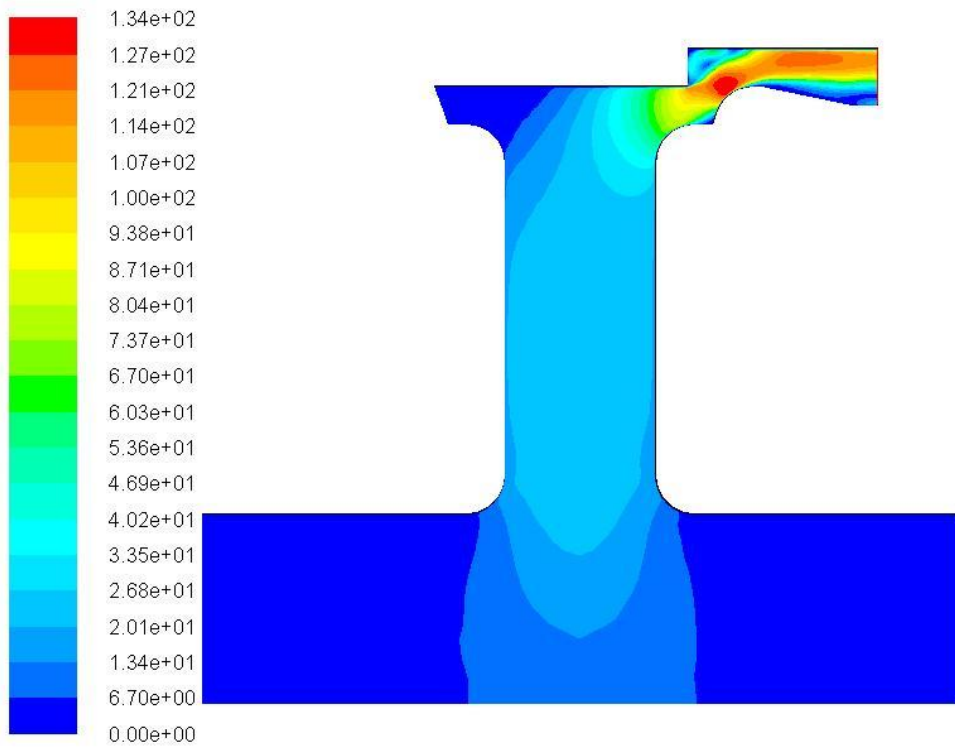
R=0,5



Contours of Velocity Magnitude (mixture) (m/s)

May 16, 2015
ANSYS Fluent 15.0 (2d, pbns, mixture, rke)

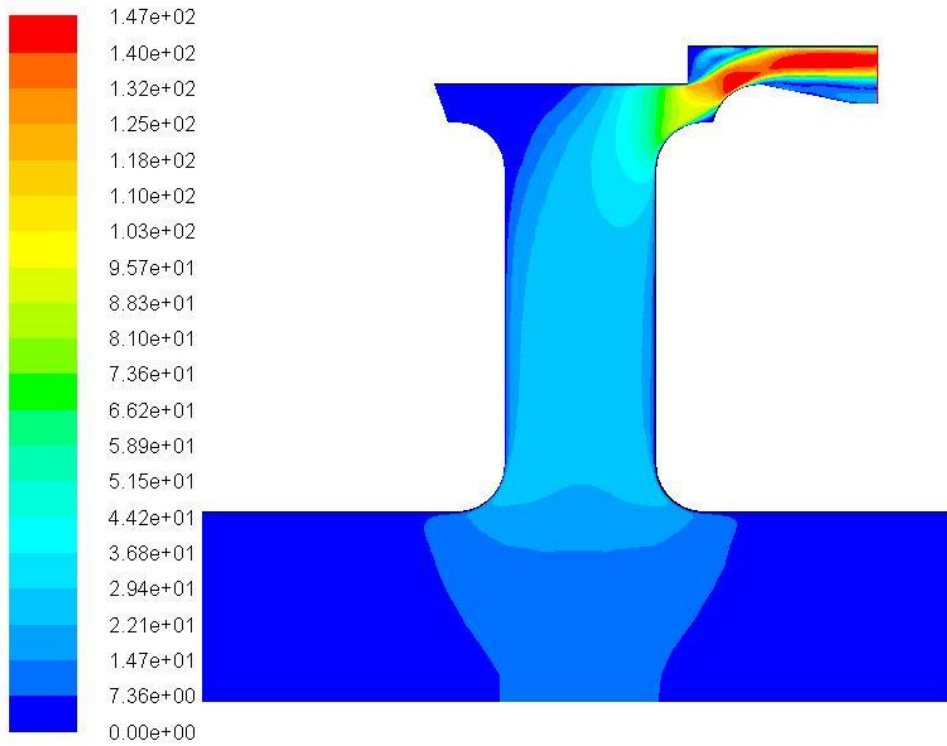
R=1



Contours of Velocity Magnitude (mixture) (m/s)

May 16, 2015
ANSYS Fluent 15.0 (2d, pbns, mixture, rke)

R=1,25

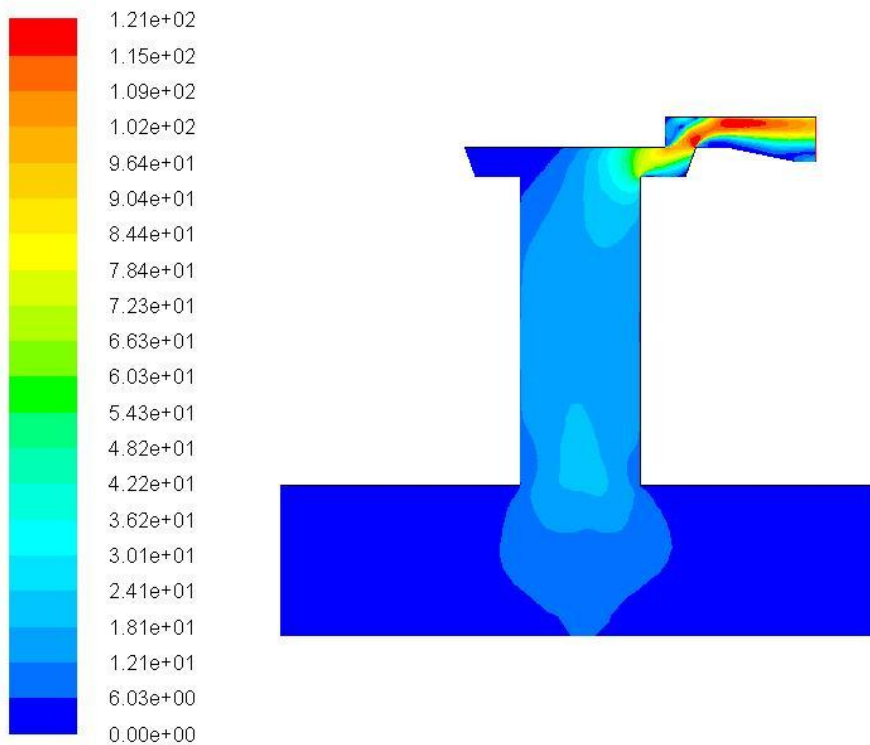


Contours of Velocity Magnitude (mixture) (m/s)

May 16, 2015
ANSYS Fluent 15.0 (2d, pbns, mixture, rke)

Rychlost - $T=30^{\circ}\text{C}$

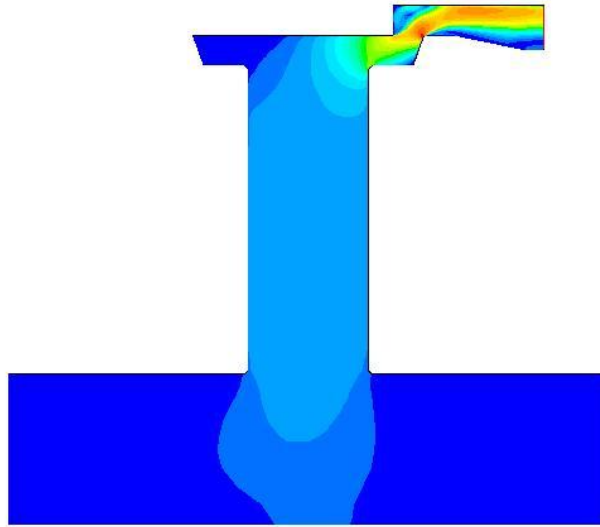
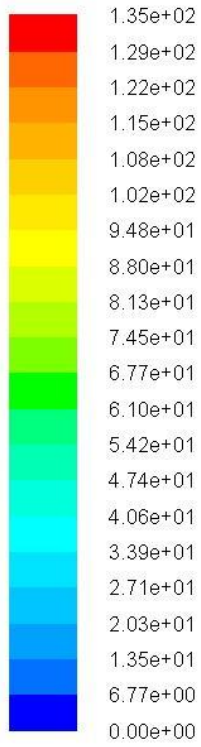
$R=0$



Contours of Velocity Magnitude (mixture) (m/s)

May 15, 2015
ANSYS Fluent 15.0 (2d, pbns, mixture, rke)

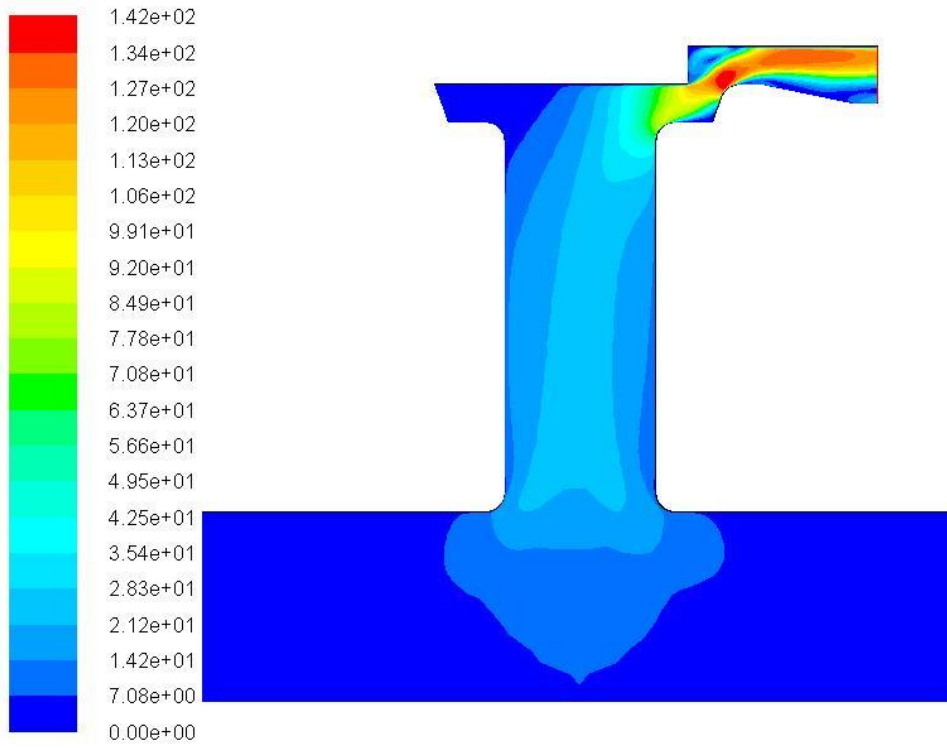
R=0,2



Contours of Velocity Magnitude (mixture) (m/s)

May 15, 2015
ANSYS Fluent 15.0 (2d, pbns, mixture, rke)

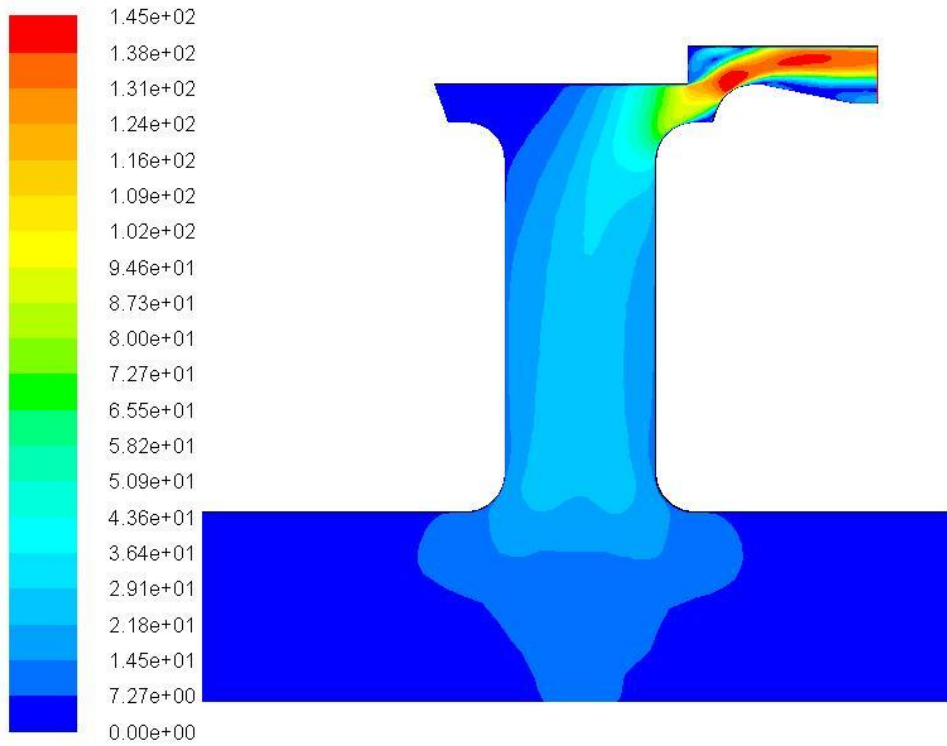
R=0,5



Contours of Velocity Magnitude (mixture) (m/s)

May 16, 2015
ANSYS Fluent 15.0 (2d, pbns, mixture, rke)

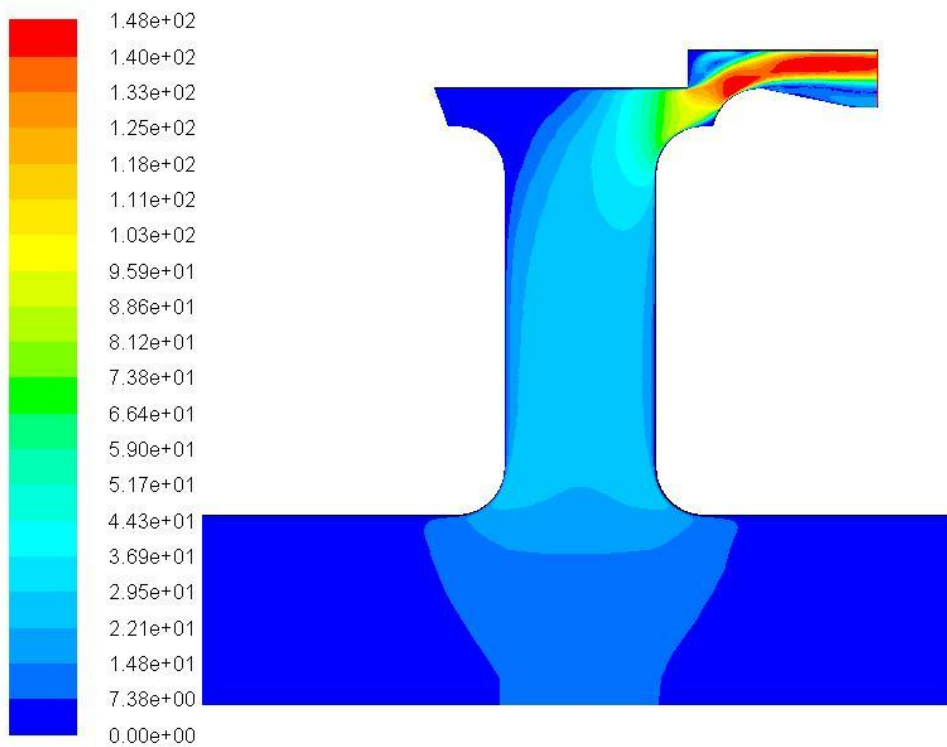
R=1



Contours of Velocity Magnitude (mixture) (m/s)

May 16, 2015
ANSYS Fluent 15.0 (2d, pbns, mixture, rke)

R=1,25

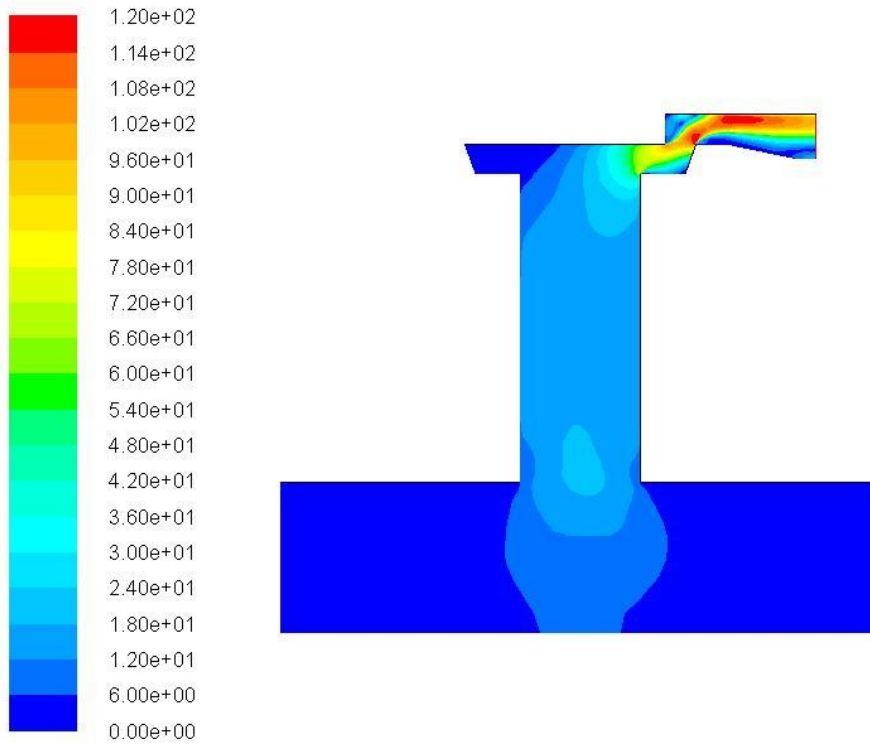


Contours of Velocity Magnitude (mixture) (m/s)

May 16, 2015
ANSYS Fluent 15.0 (2d, pbns, mixture, rke)

Rychlost - T=35°C

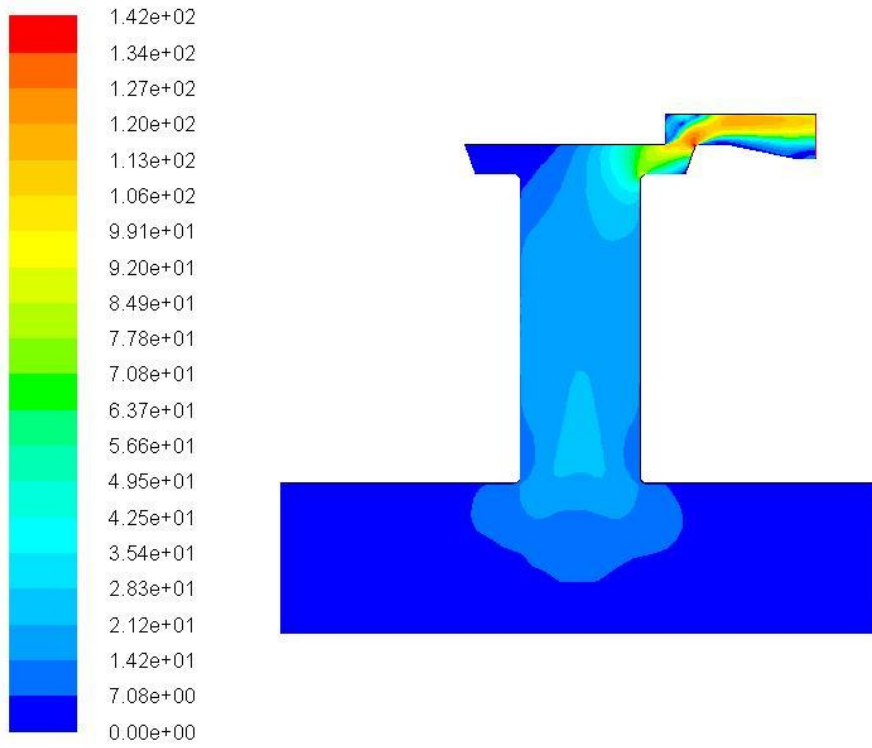
R=0



Contours of Velocity Magnitude (mixture) (m/s)

May 15, 2015
ANSYS Fluent 15.0 (2d, pbns, mixture, rke)

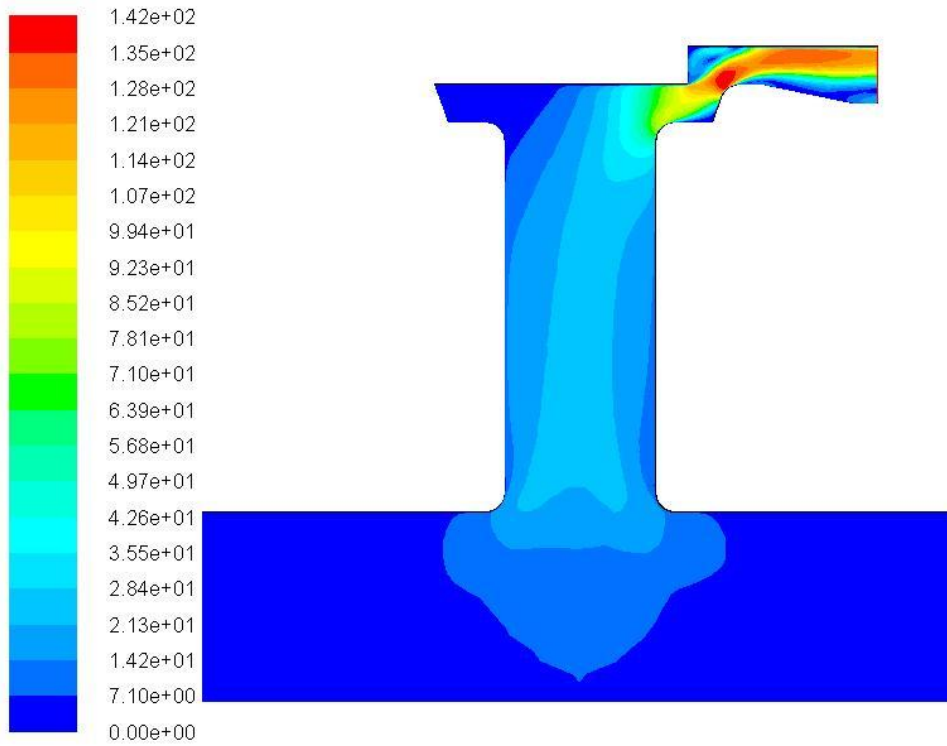
R=0,2



Contours of Velocity Magnitude (mixture) (m/s)

May 15, 2015
ANSYS Fluent 15.0 (2d, pbns, mixture, rke)

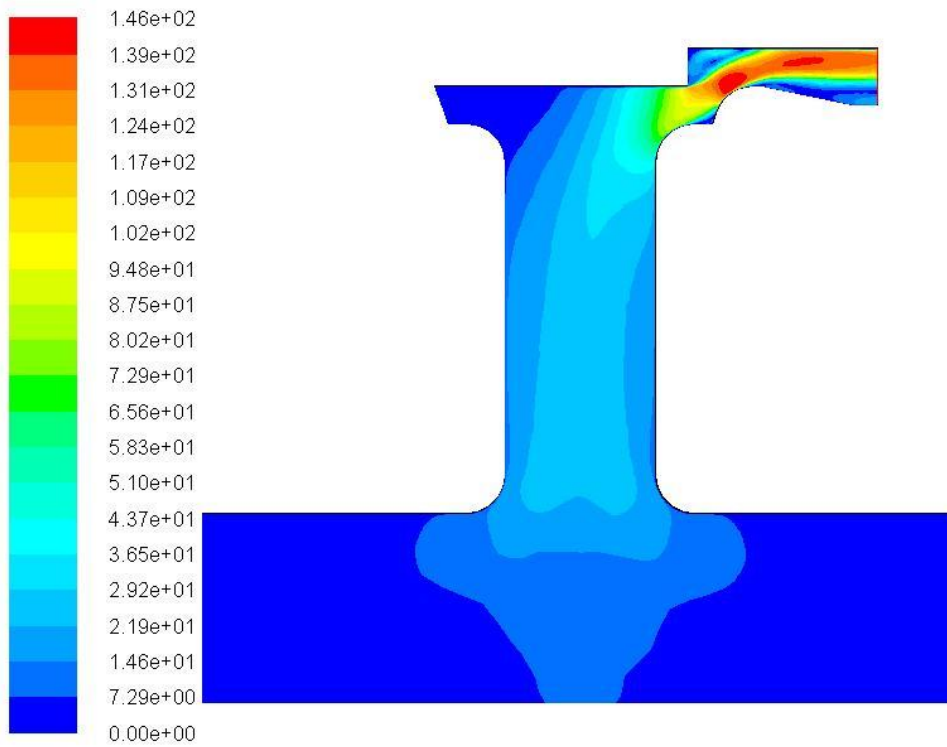
R=0,5



Contours of Velocity Magnitude (mixture) (m/s)

May 16, 2015
ANSYS Fluent 15.0 (2d, pbns, mixture, rke)

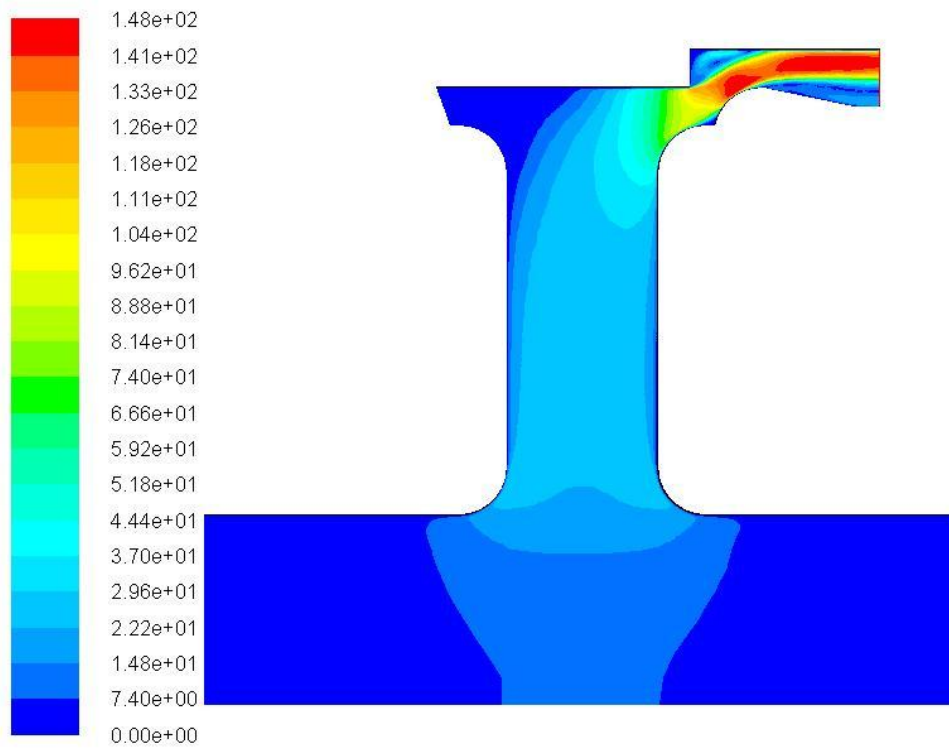
R = 1



Contours of Velocity Magnitude (mixture) (m/s)

May 16, 2015
ANSYS Fluent 15.0 (2d, pbns, mixture, rke)

R=1,25

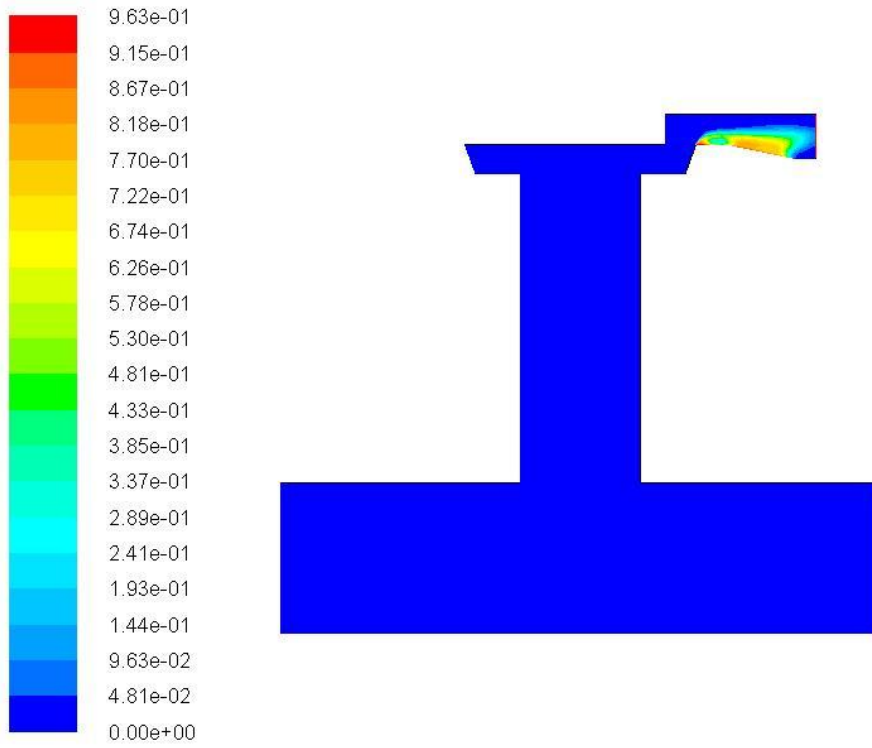


Contours of Velocity Magnitude (mixture) (m/s)

May 16, 2015
ANSYS Fluent 15.0 (2d, pbns, mixture, rke)

Obsah plynné fáze v oleji - T=25°C

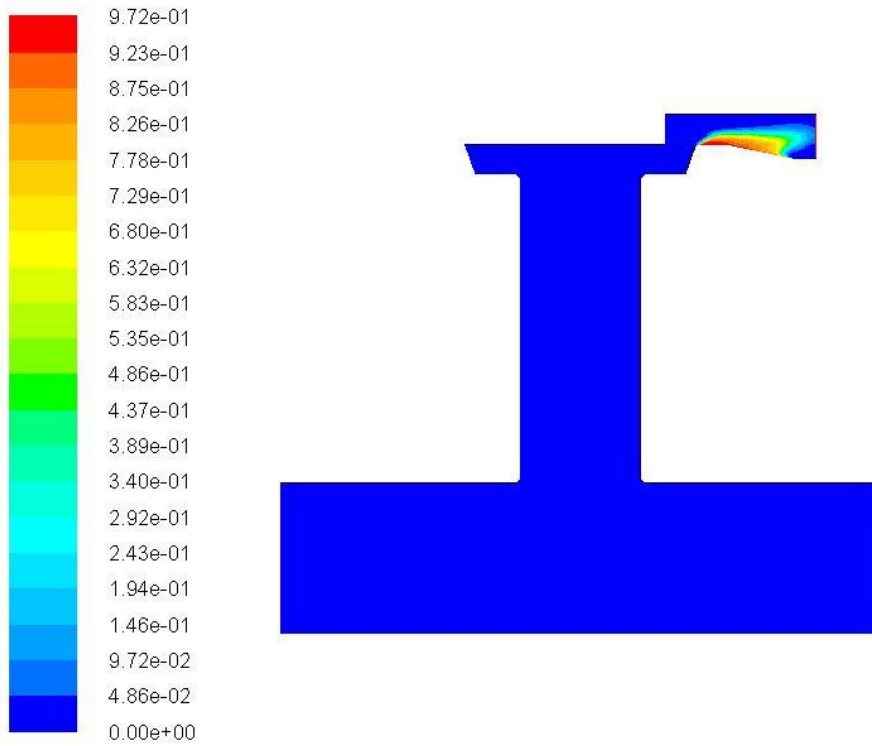
R=0



Contours of Volume fraction (vapor)

May 15, 2015
ANSYS Fluent 15.0 (2d, pbns, mixture, rke)

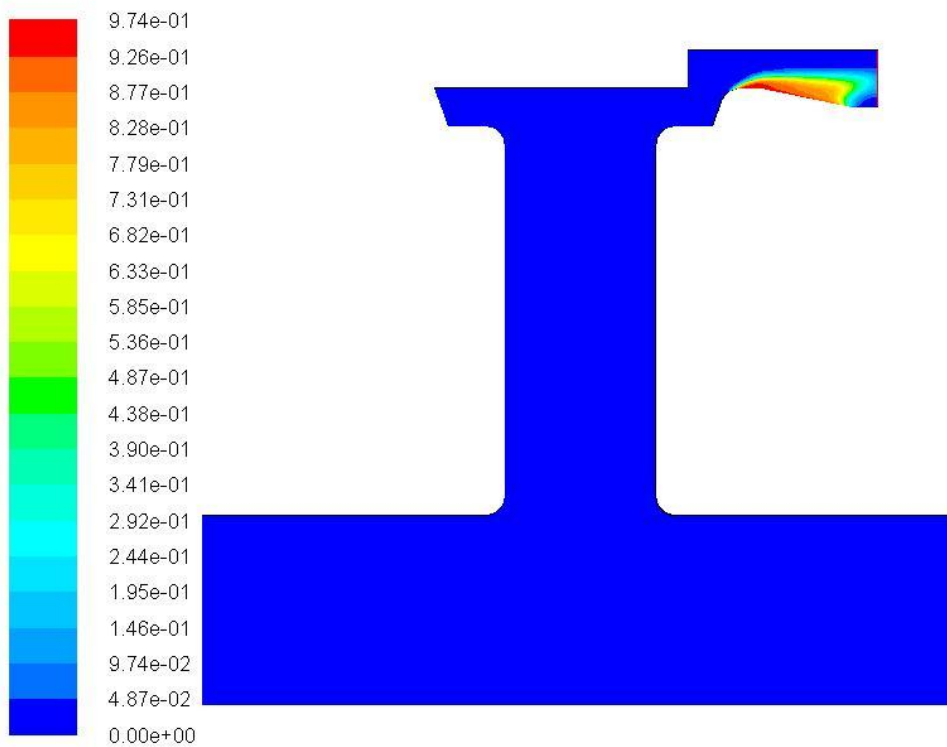
R=0,2



Contours of Volume fraction (phase-2)

May 15, 2015
ANSYS Fluent 15.0 (2d, pbns, mixture, rke)

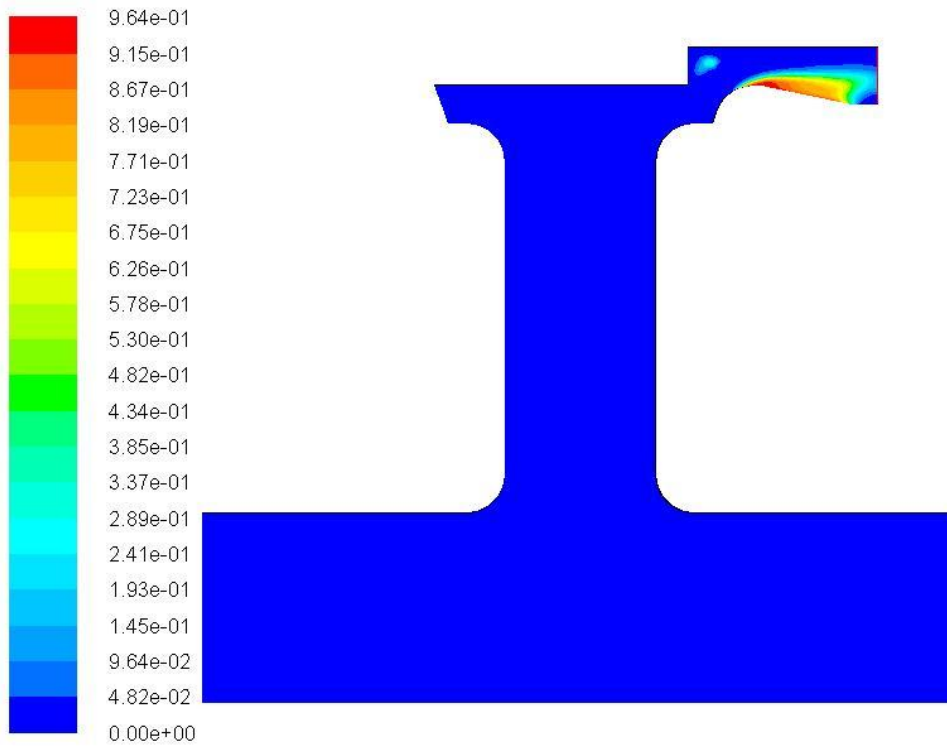
$R=0,5$



Contours of Volume fraction (phase-2)

May 16, 2015
ANSYS Fluent 15.0 (2d, pbns, mixture, rke)

R=1

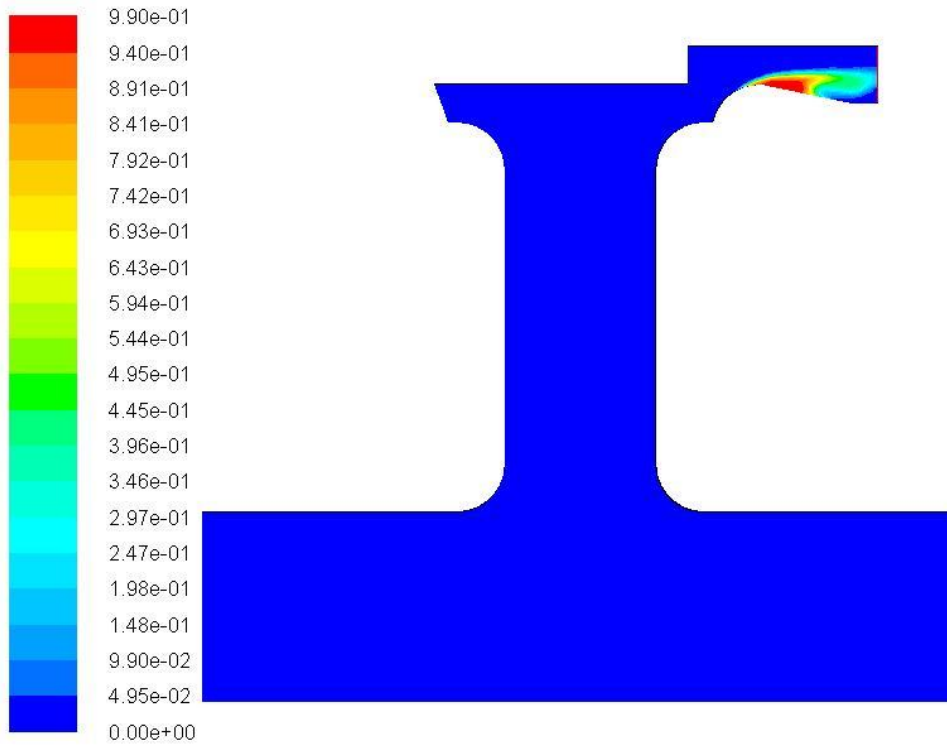


ANSYS
FLUENT

Contours of Volume fraction (phase-2)

May 16, 2015
ANSYS Fluent 15.0 (2d, pbns, mixture, rke)

R=1,25

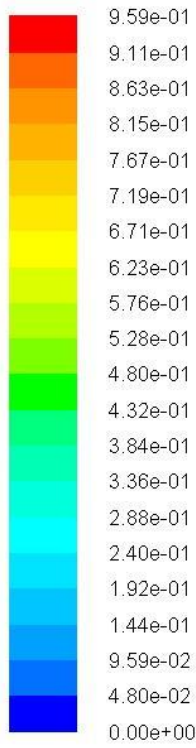


Contours of Volume fraction (phase-2)

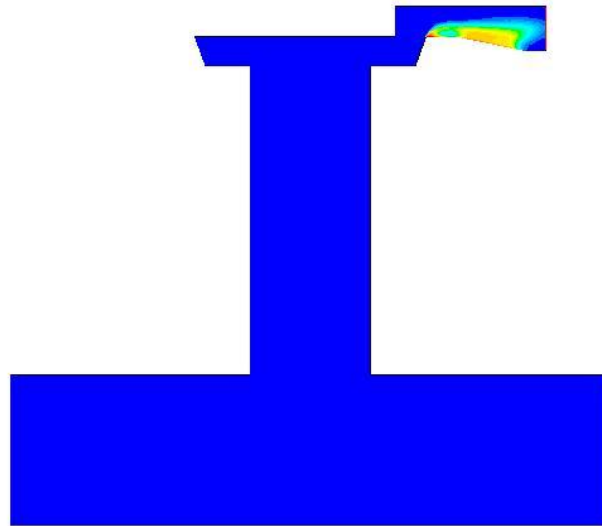
May 16, 2015
ANSYS Fluent 15.0 (2d, pbns, mixture, rke)

Obsah plynné fáze v oleji - $T=30^{\circ}\text{C}$

$R=0$



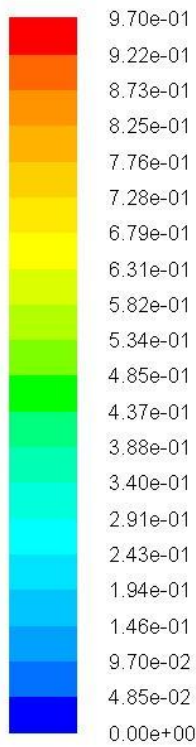
ANSYS
FLUENT
15.0



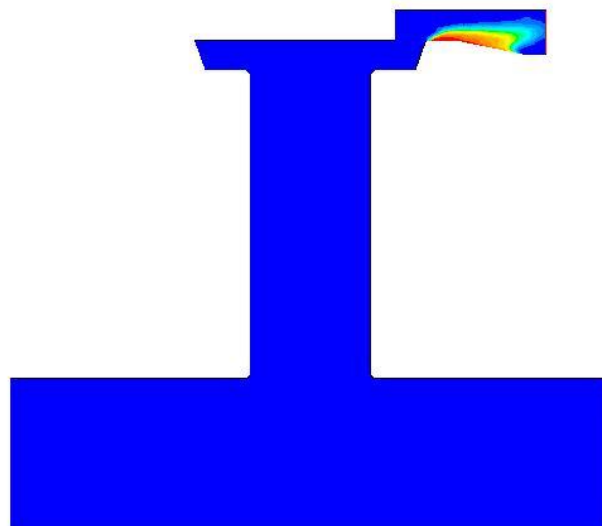
Contours of Volume fraction (phase-2)

May 15, 2015
ANSYS Fluent 15.0 (2d, pbns, mixture, rke)

R=0,2



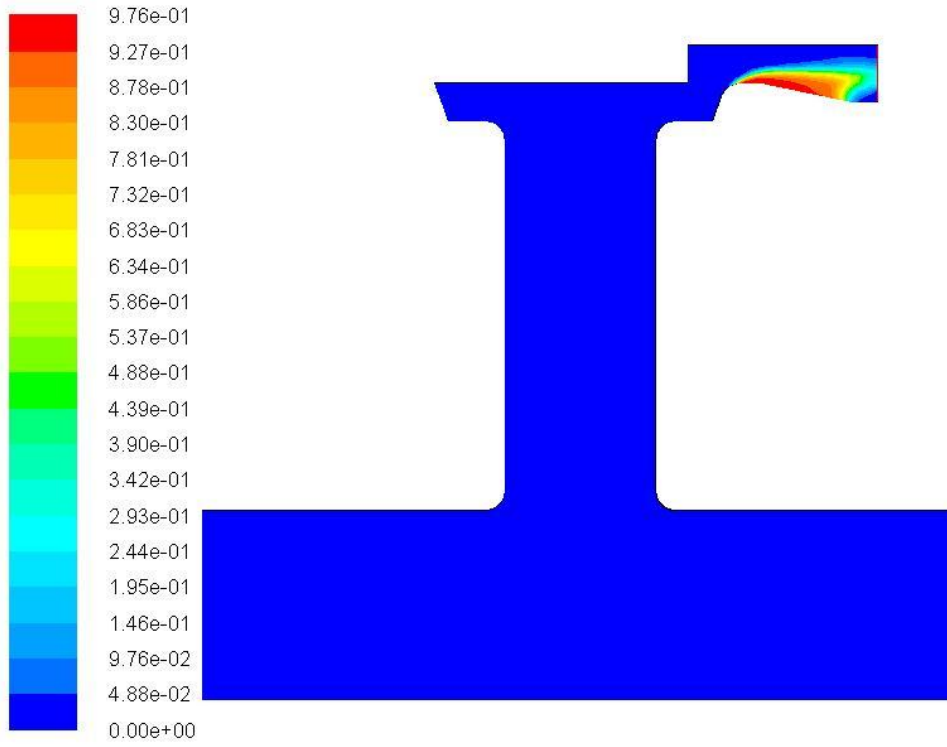
ANSYS
FLUENT
15.0



Contours of Volume fraction (phase-2)

May 15, 2015
ANSYS Fluent 15.0 (2d, pbns, mixture, rke)

R=0,5

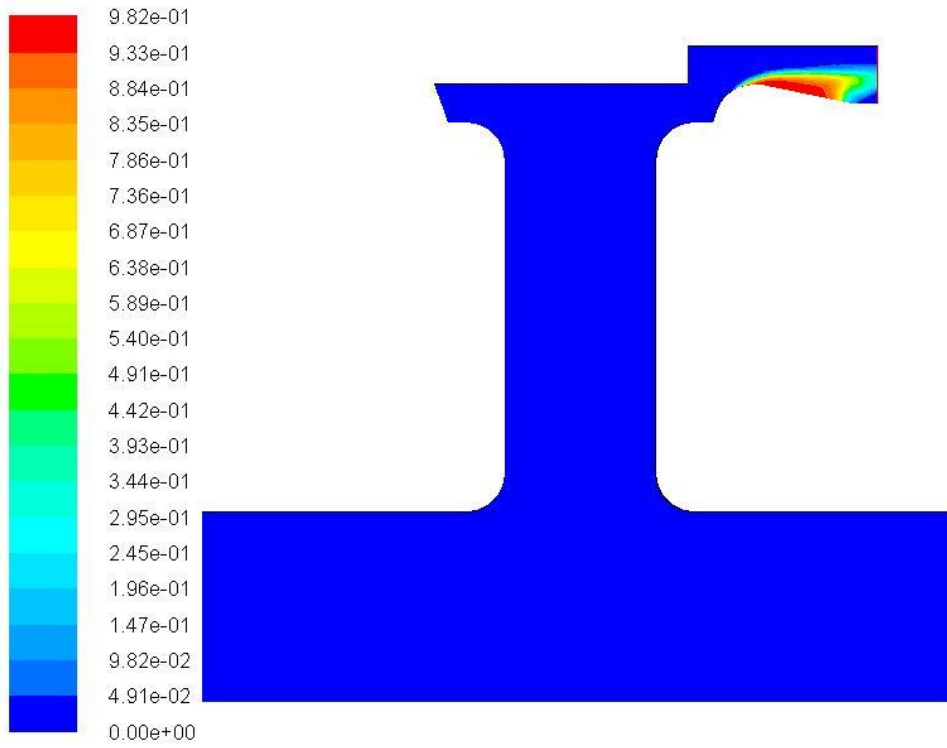


ANSYS
FLUENT

Contours of Volume fraction (phase-2)

May 16, 2015
ANSYS Fluent 15.0 (2d, pbns, mixture, rke)

R=1

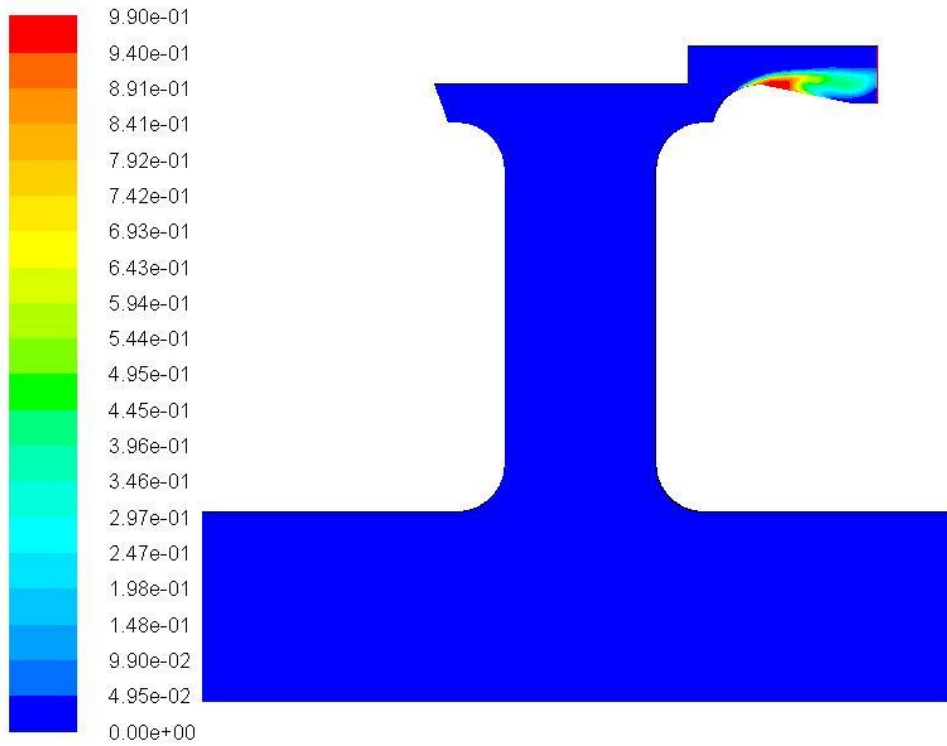


ANSYS
15.0

Contours of Volume fraction (phase-2)

May 16, 2015
ANSYS Fluent 15.0 (2d, pbns, mixture, rke)

R=1,25

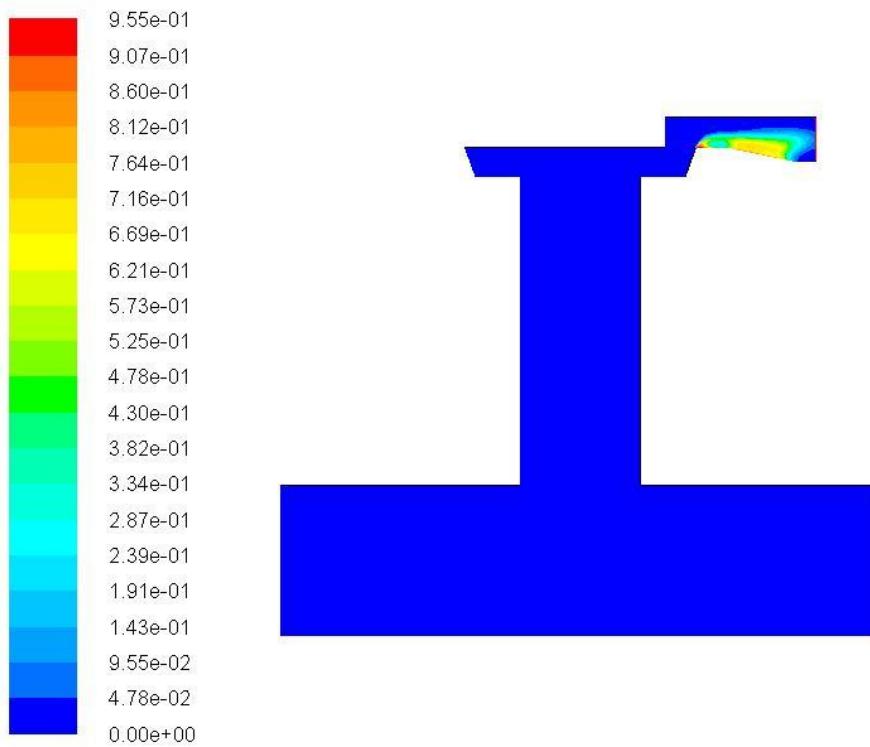


Contours of Volume fraction (phase-2)

May 16, 2015
ANSYS Fluent 15.0 (2d, pbns, mixture, rke)

Obsah plynné fáze v oleji - $T=35^{\circ}\text{C}$

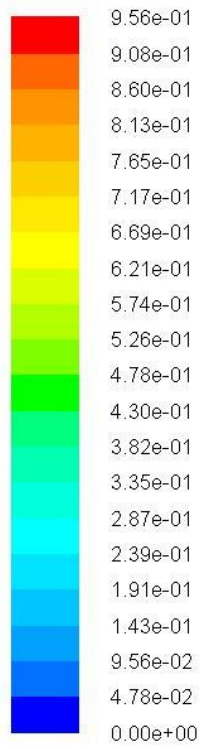
$R=0$



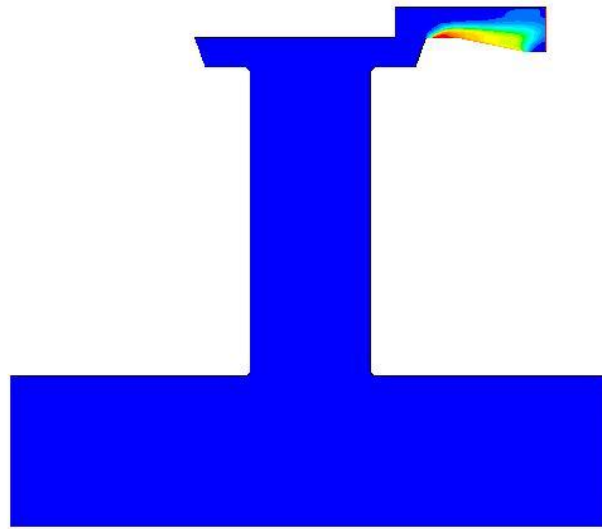
Contours of Volume fraction (phase-2)

May 15, 2015
ANSYS Fluent 15.0 (2d, pbns, mixture, rke)

R=0,2



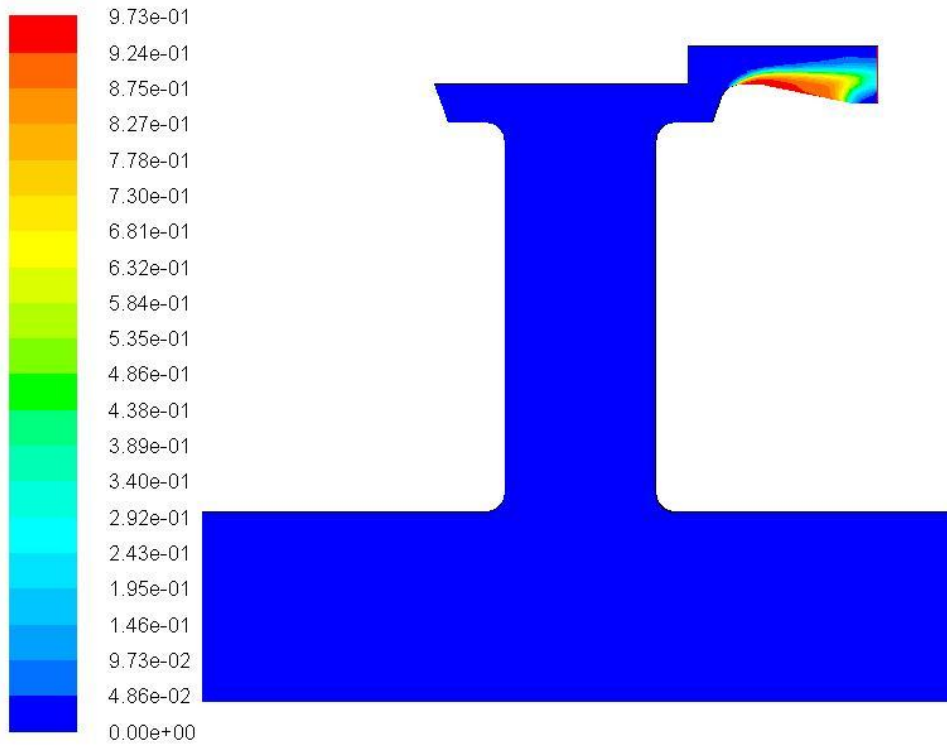
ANSYS
FLUENT



Contours of Volume fraction (phase-2)

May 15, 2015
ANSYS Fluent 15.0 (2d, pbns, mixture, rke)

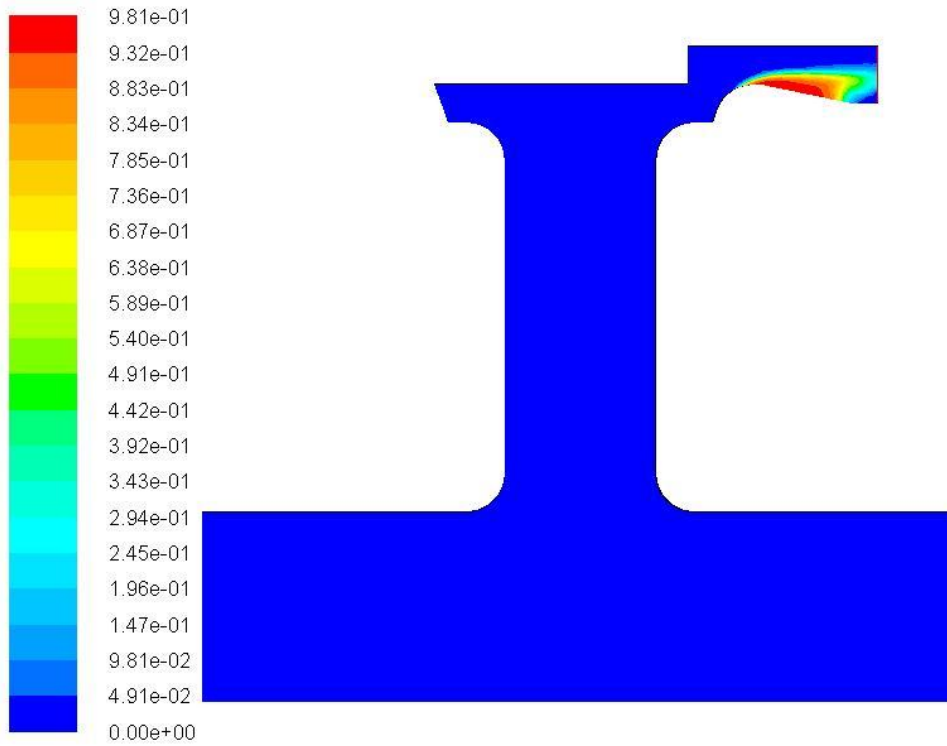
R=0,5



Contours of Volume fraction (phase-2)

May 16, 2015
ANSYS Fluent 15.0 (2d, pbns, mixture, rke)

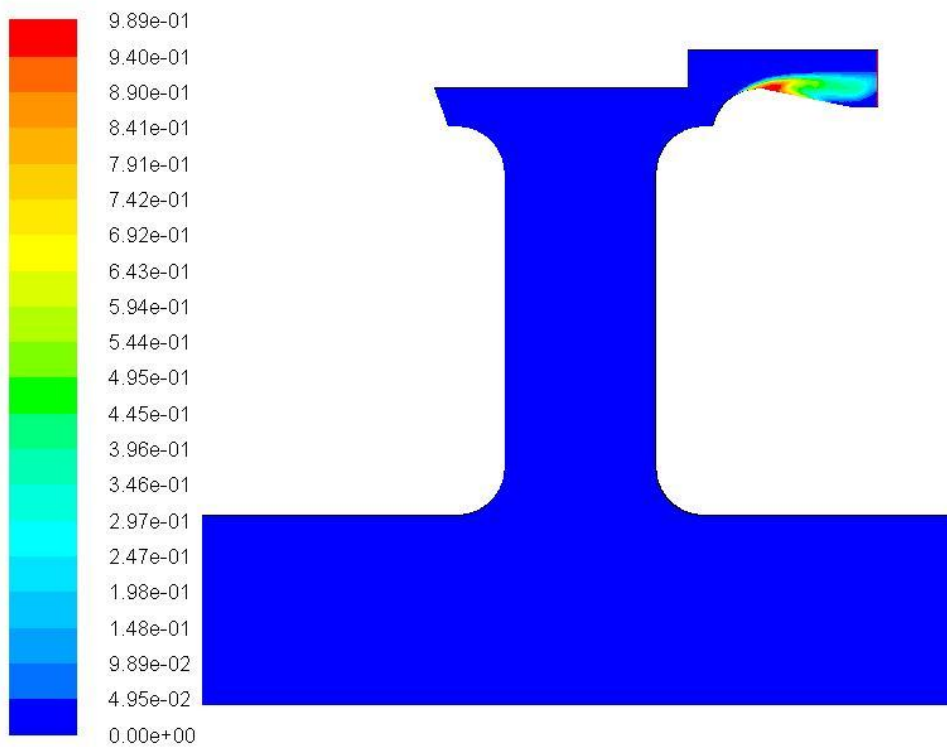
R=1



Contours of Volume fraction (phase-2)

May 16, 2015
ANSYS Fluent 15.0 (2d, pbns, mixture, rke)

R=1,25



Contours of Volume fraction (phase-2)

May 16, 2015
ANSYS Fluent 15.0 (2d, pbns, mixture, rke)